



High quality ferrous castings

0,200 Kg to 220 Kg



Pipe Clamp



Crane Wheels



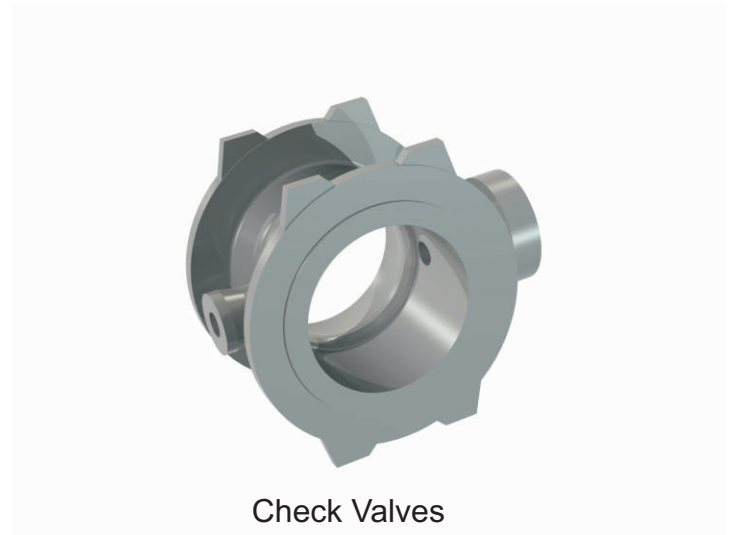
Hydraulic Lift Arm



Conical Gear



Hummer Head



Check Valves

Ductile Iron Castings

Gray Iron Castings



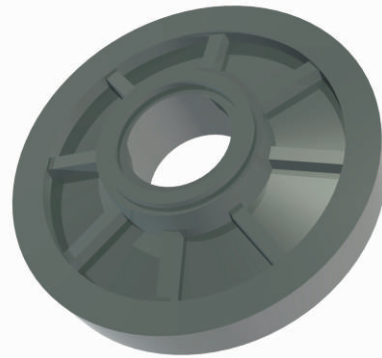
Wheel Hub



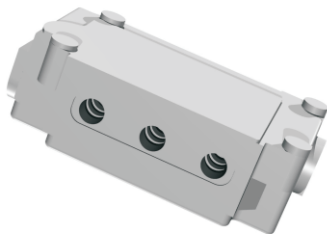
Air Valves



Gear Box



Flywheel



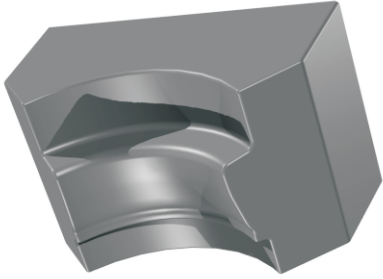
Hydraulic Control Valve



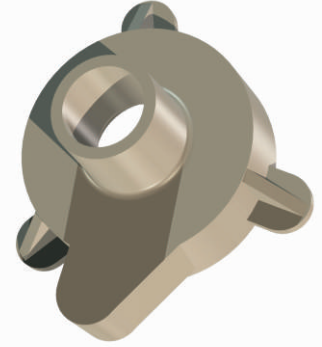
V Torque Rod Head

Unalloyed Steel Castings

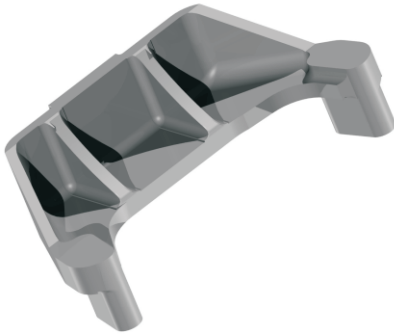
Low Alloy Steel Castings



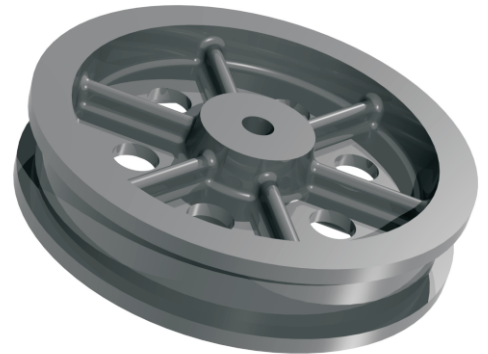
Wheel Rim Mould



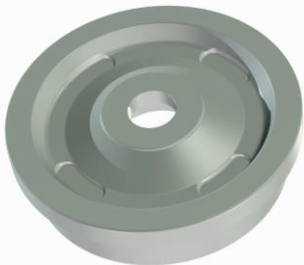
Pump Body



Motor Bracket



Disk Gear



Flywheel

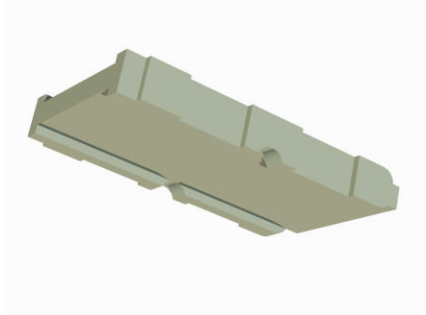


Wrench

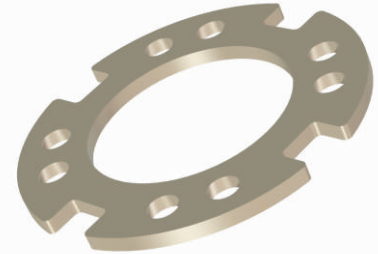
Stainless Steel Castings

Wear Resistant Castings

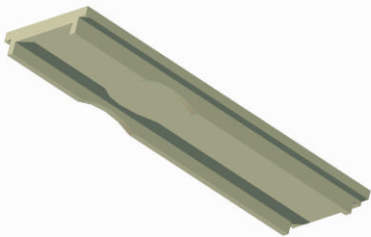
Special Alloys



Turbine Blades



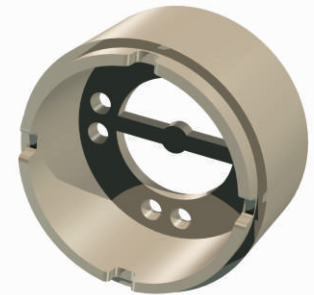
Arrester Plate



Wear Plate



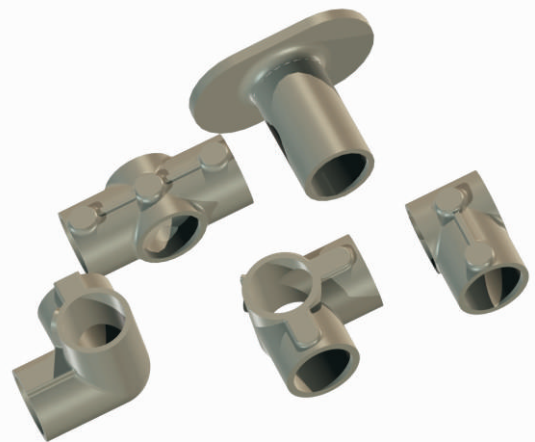
Exhaust Manifold



Arrester



Lever



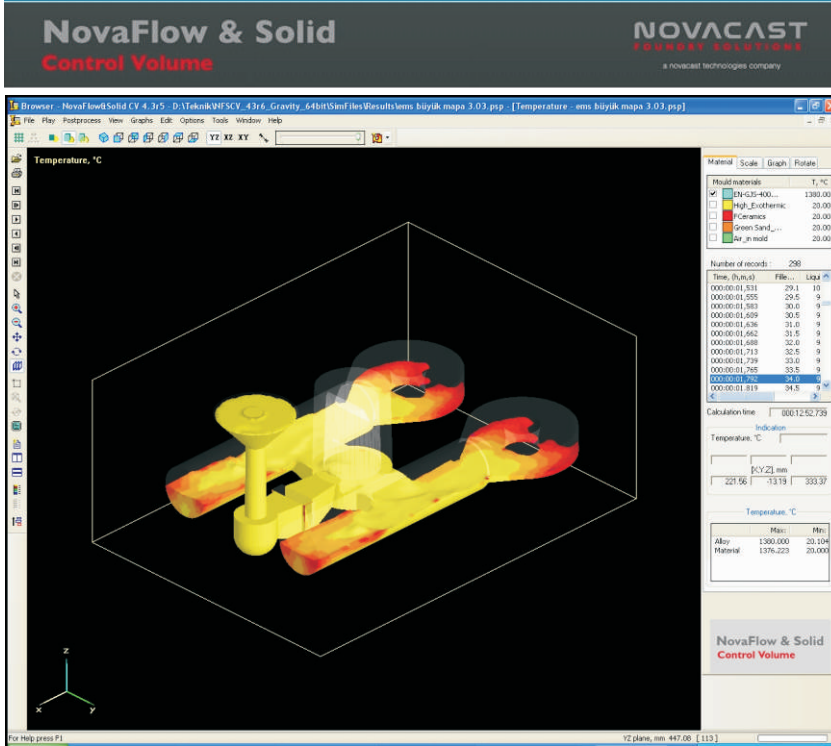
Pipe Clamps



For High Quality Zero Defect Casting

Latest Technology Products

Casting Simulation Softwares



Chemical Analysis Control

ARL Laboratory Spectrometer

Metallography Laboratory



**Sand Laboratory
Hardness Testing**

Medoksan Ltd.

medoksan@gmail.com

Tel:90-236-2332327

Fax:90-236-2336618