

TABLE OF INDEX

Illustration	Description	Page
1	17 mm Φ Tie-Rod and Waterstopper Nut MDSZ17 TJ17/9 TJ17/15	1
2	17 mm Φ Tie-Rod and Tie-Rod Nuts MDTJ110 MDTJ90 TJ17/9 TJ17/15	1
3	24 mm Φ Tie-Rod and Waterstopper Nut TJ24 MDSZ24	2
4	24 mm Φ Tie-Rod and Tie-Rod Nut TJ24 MDTJ24	2
5	35 mm Φ Adjustment Sleeve and Butterfly Nuts MDKLB3555 MDKLB3560 BR35 DL35	3
6	38 mm Φ Adjustment Sleeve and Butterfly Nut BR38 DL38 MDKLB38	3
7	48 mm Φ Adjustment Sleeve and Butterfly Nut BR48/1 BR48/2 MDKLB48	4
8	38 mm Φ Adjustment Sleeve and Butterfly Nuts (Holland Type) BRHLD38 MDKLBHLD	4
9	Soldier Nut and Adjustment Screw MDASK DLASK	5
10	60 mm Φ Adjustable Prop Sleeve and Nuts BR60 MDTLS60/1 MDTLS60/2	5
11	76 mm Φ Adjustable Prop Sleeve and Nut BR76 MDTLS76	6
12	Heavy Duty Support Nut MDPYD	6
13	Drop Heads and Hooked Lock MDDKFCOZ MDDKFPOR MDKAN	7
14	Cuplocks MDISK6550	8
15	Panel Connecting Lock MDTKNKL	8

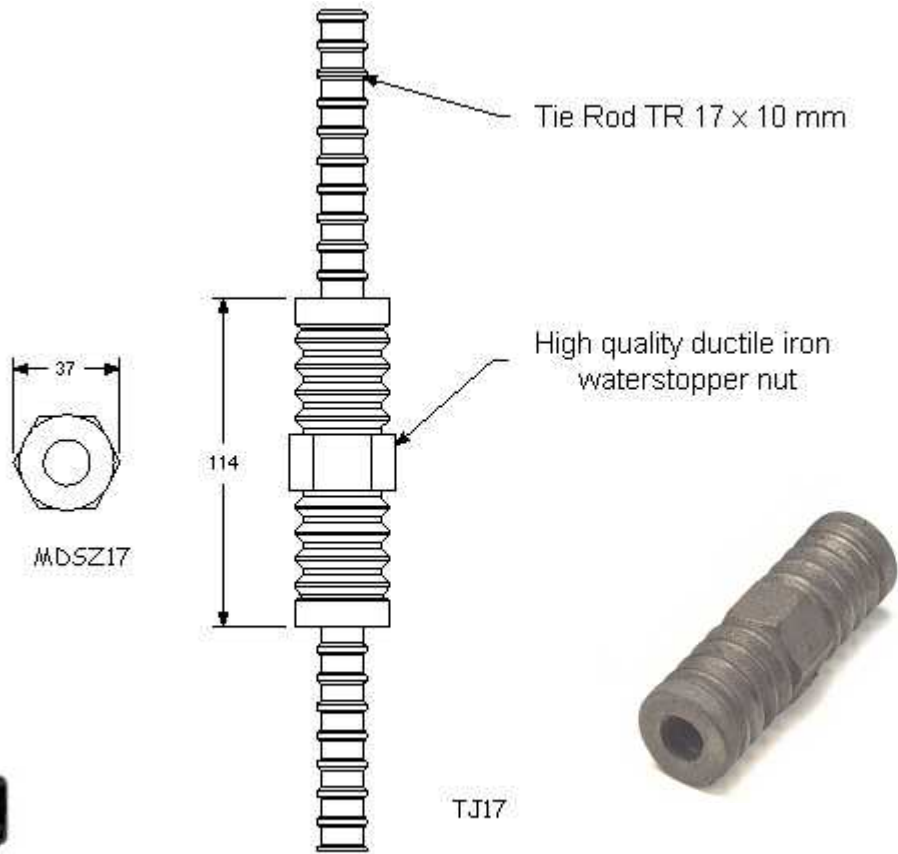


Illustration 1: 17 mm Φ Tie-Rod and Waterstopper Nut

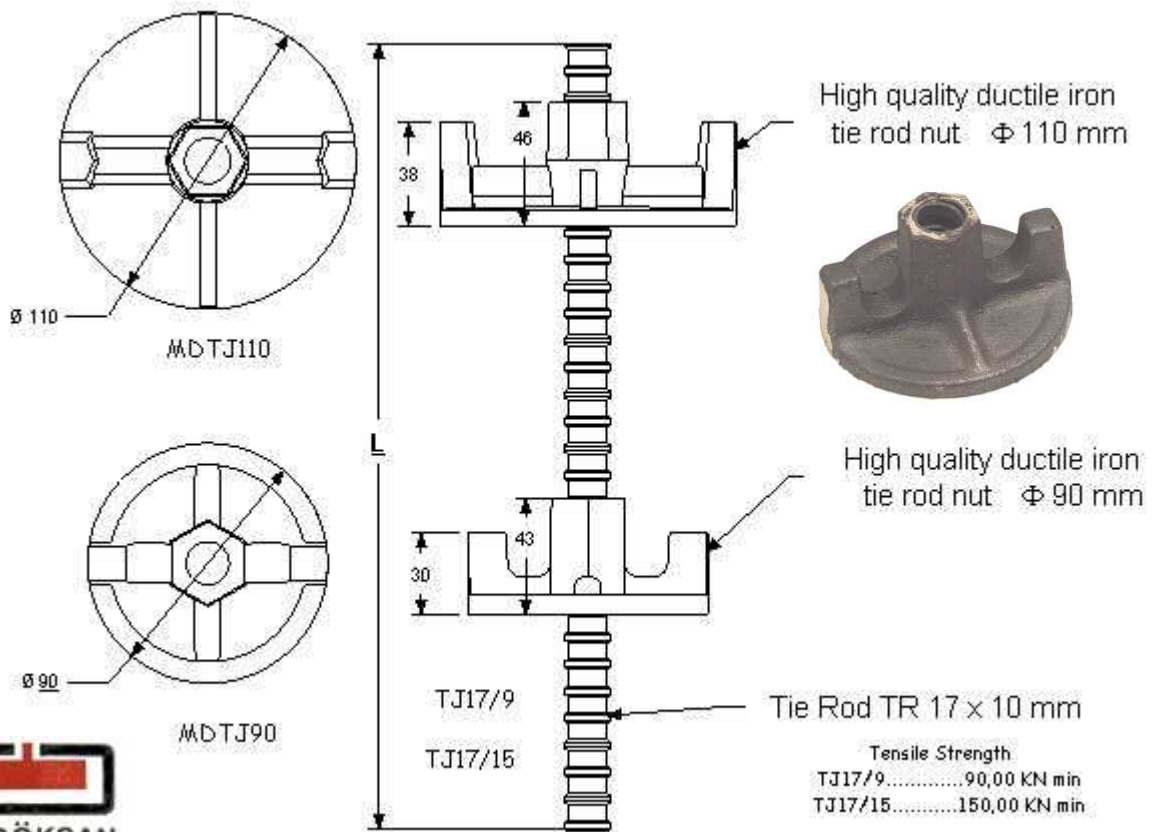


Illustration 2: 17 mm Φ Tie-Rod and Tie-Rod Nuts

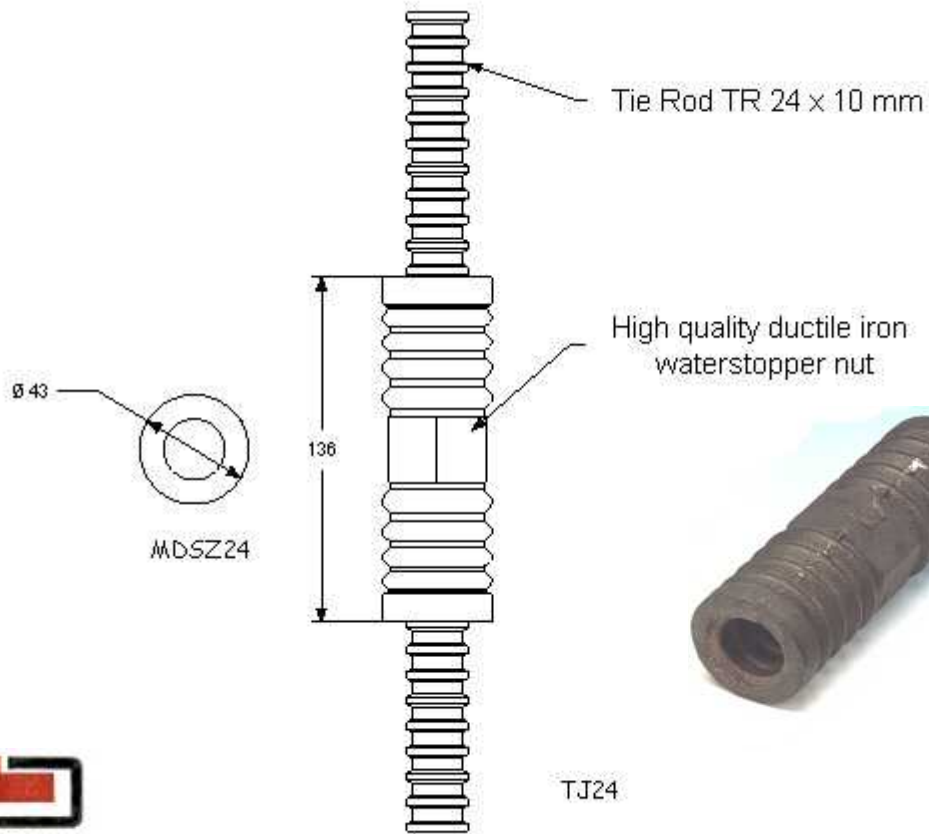


Illustration 3.: 24 mm Φ Tie-Rod and Waterstopper Nut

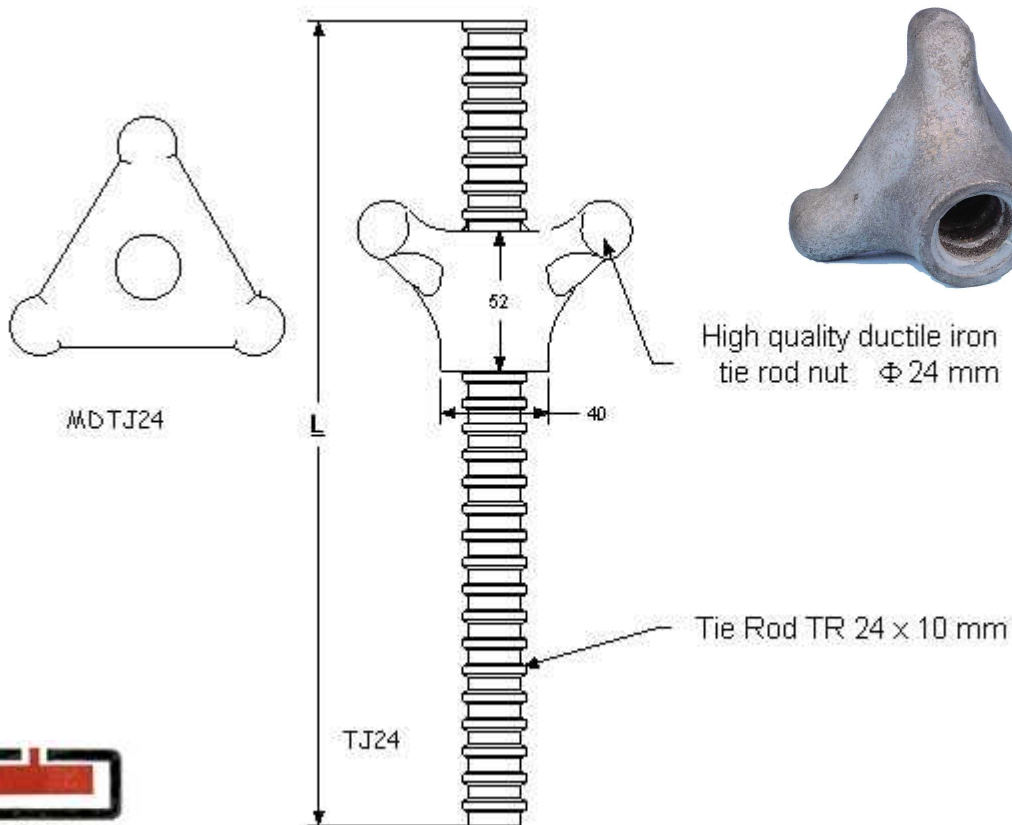


Illustration 4.: 24 mm Φ Tie-Rod and Tie-Rod Nut

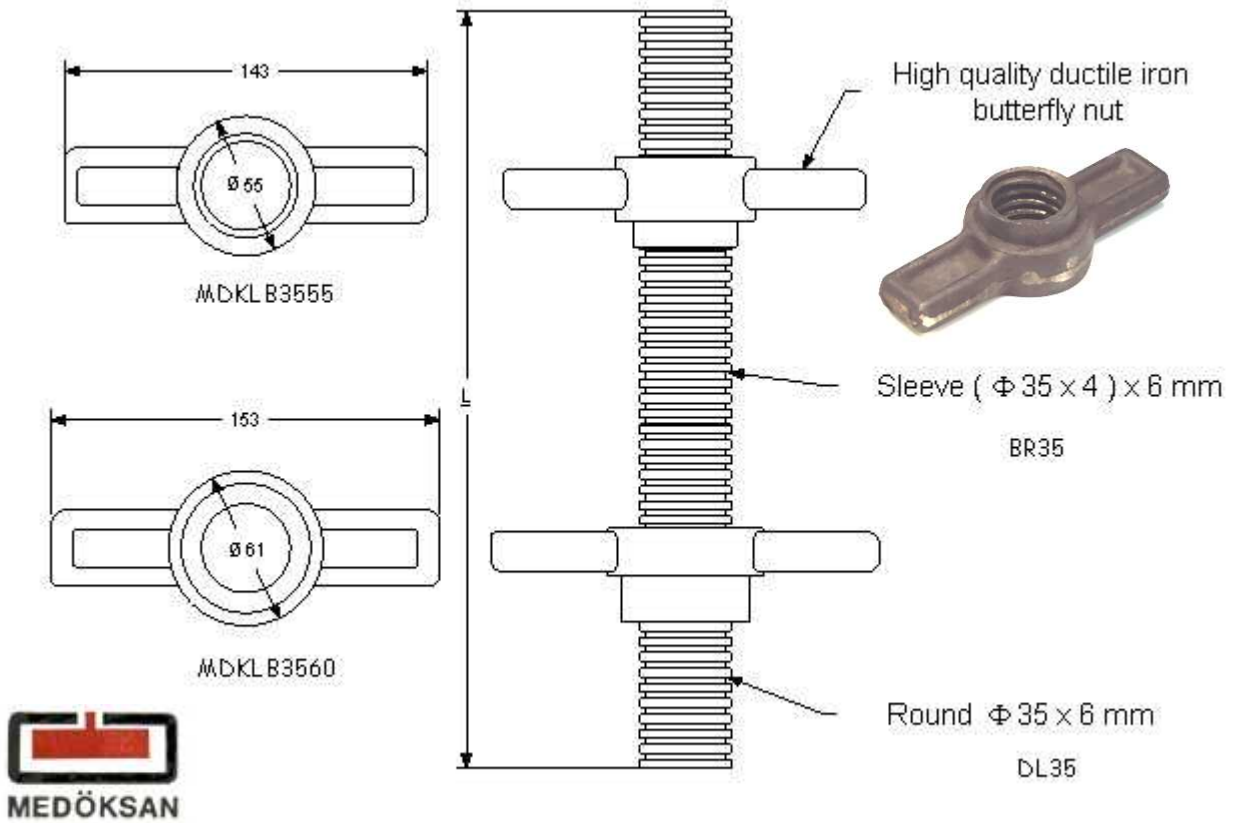


Illustration 5.:35 mm Φ Adjustment Sleeve (Rod) and Butterfly Nuts

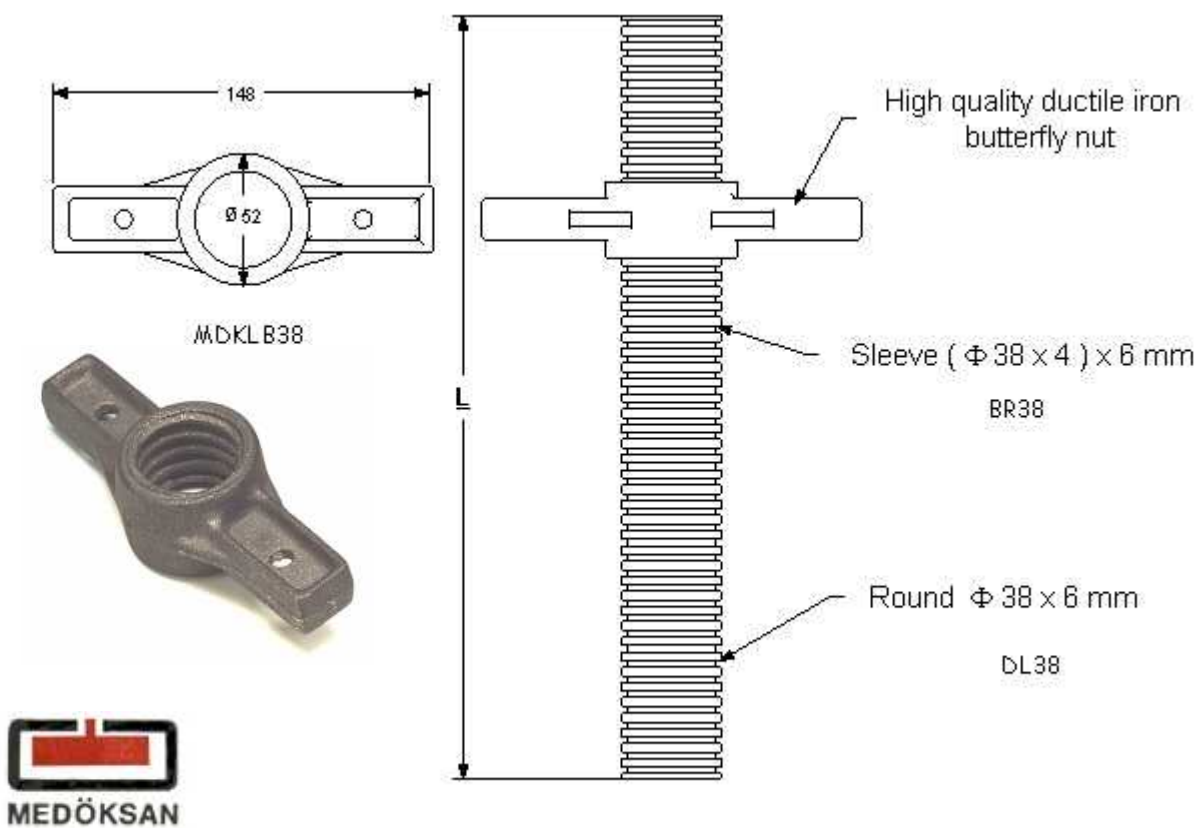


Illustration 6.:38 mm Φ Adjustment Sleeve and Butterfly Nut

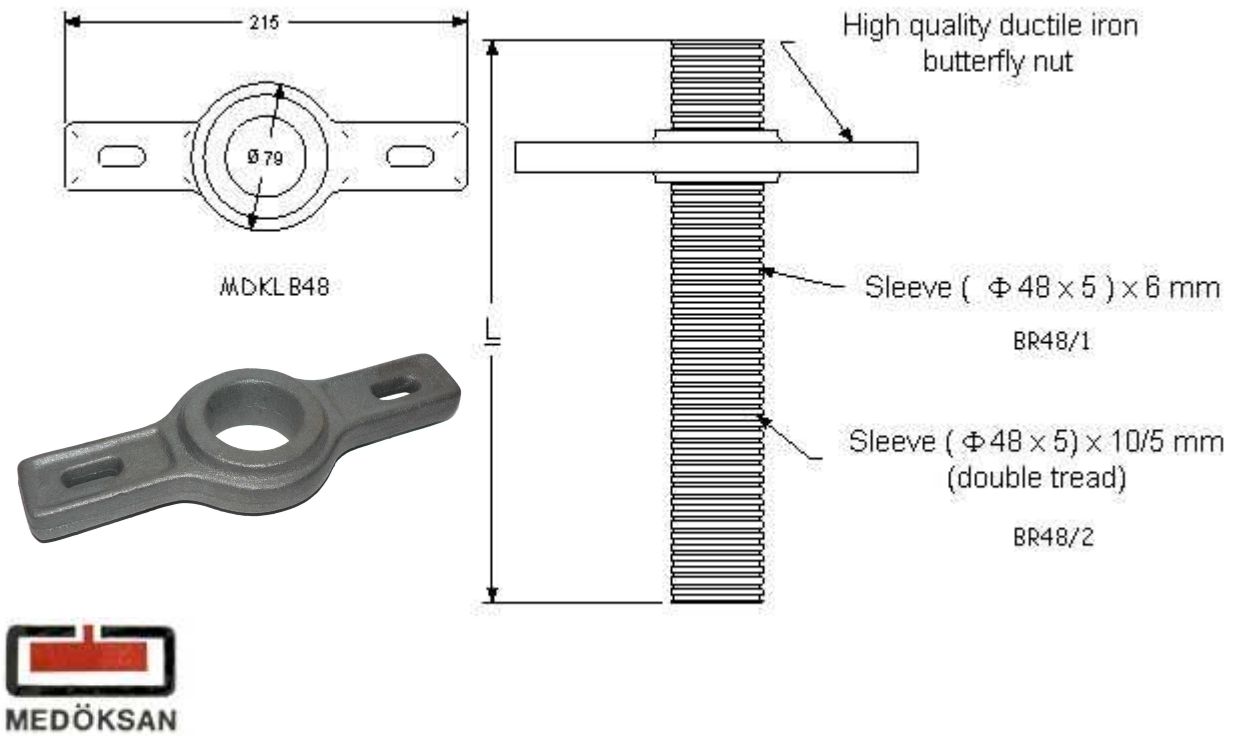


Illustration 7.: 48 mm Φ Adjustment Sleeve and Butterfly Nut

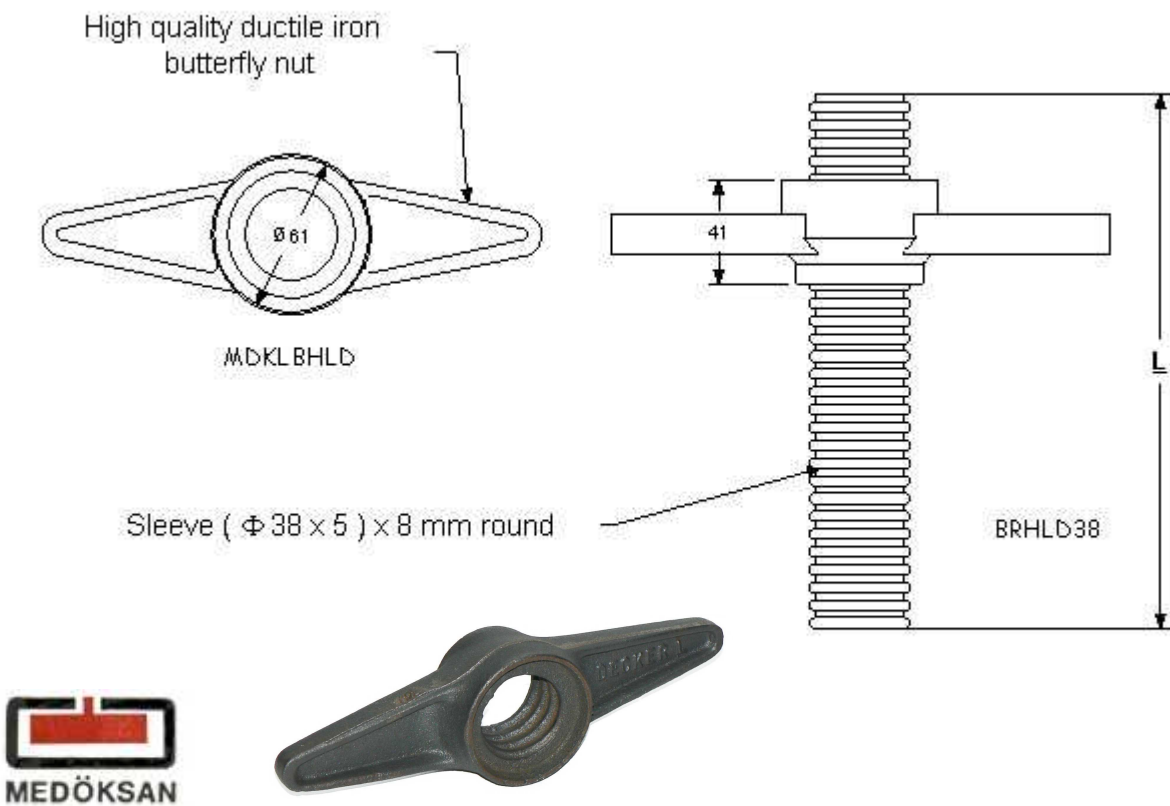


Illustration 8.: 38 mm Φ Adjustment Sleeve and Butterfly Nut (Holland Type)

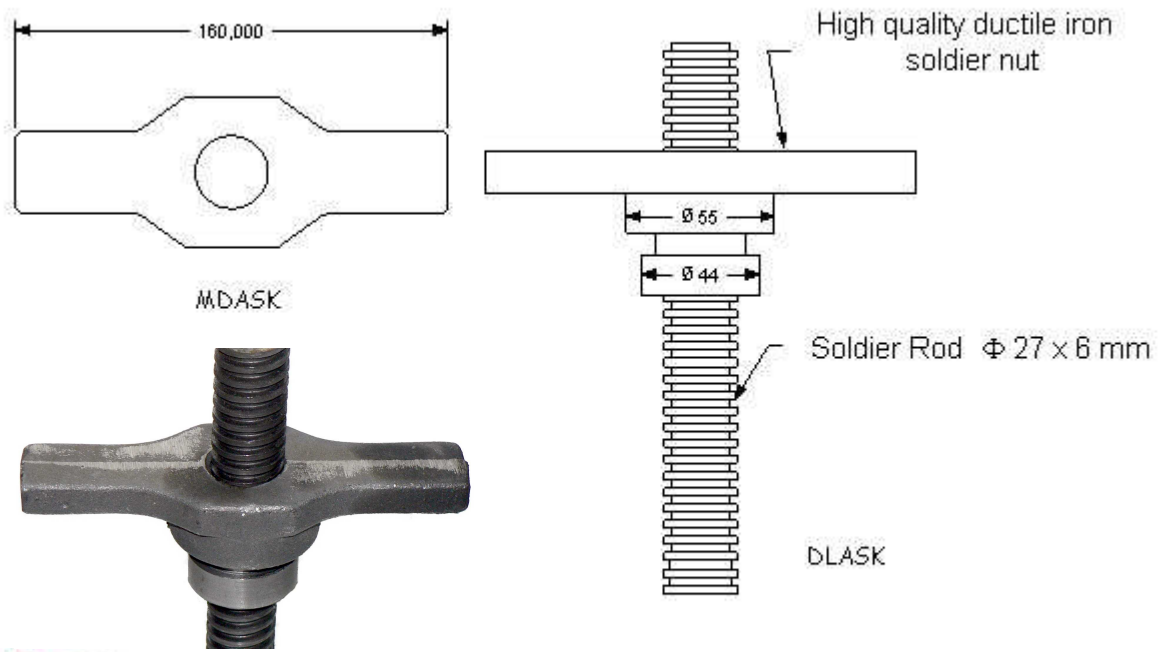


Illustration 9.: Soldier Nut and Adjustment Screw

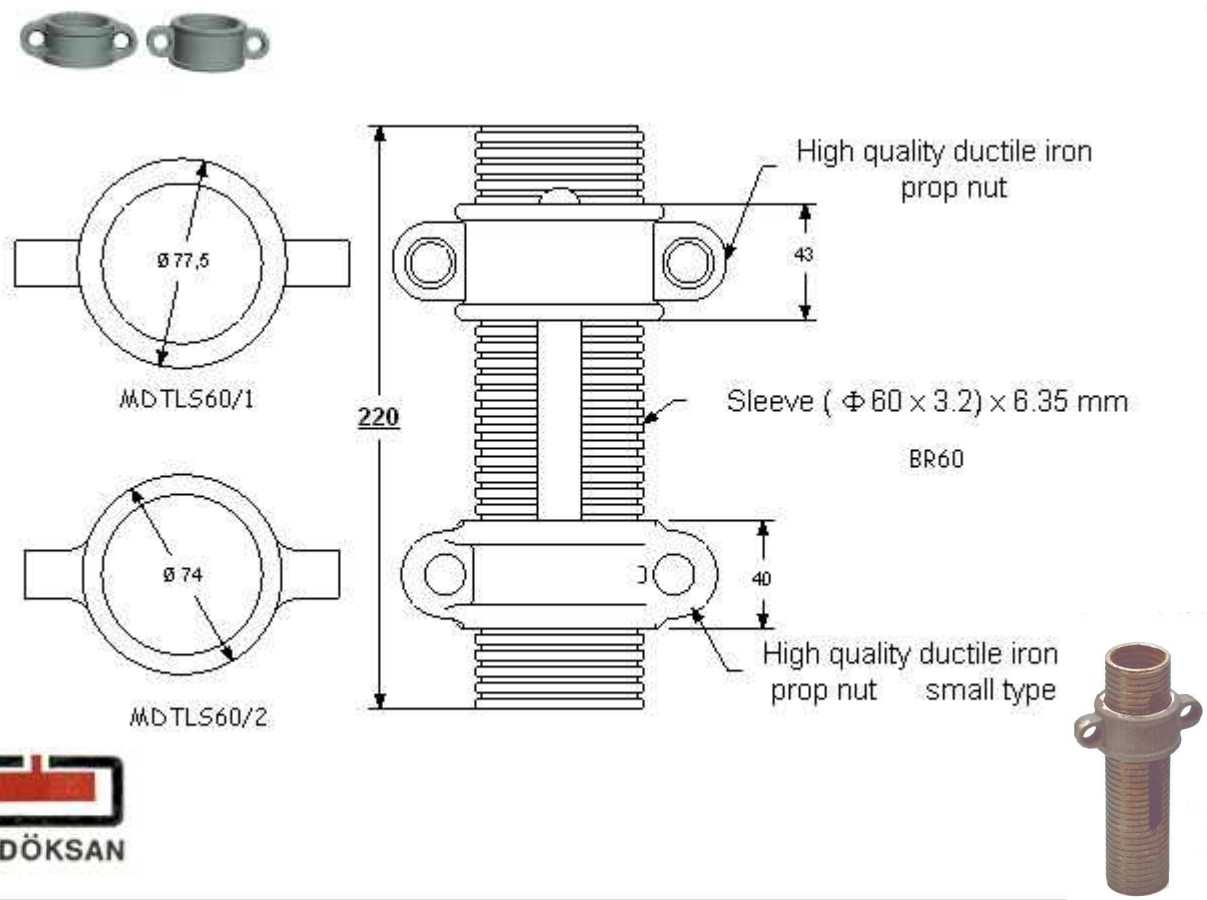


Illustration 10.: 60 mm \varnothing Adjustable Prop Sleeve and Nuts

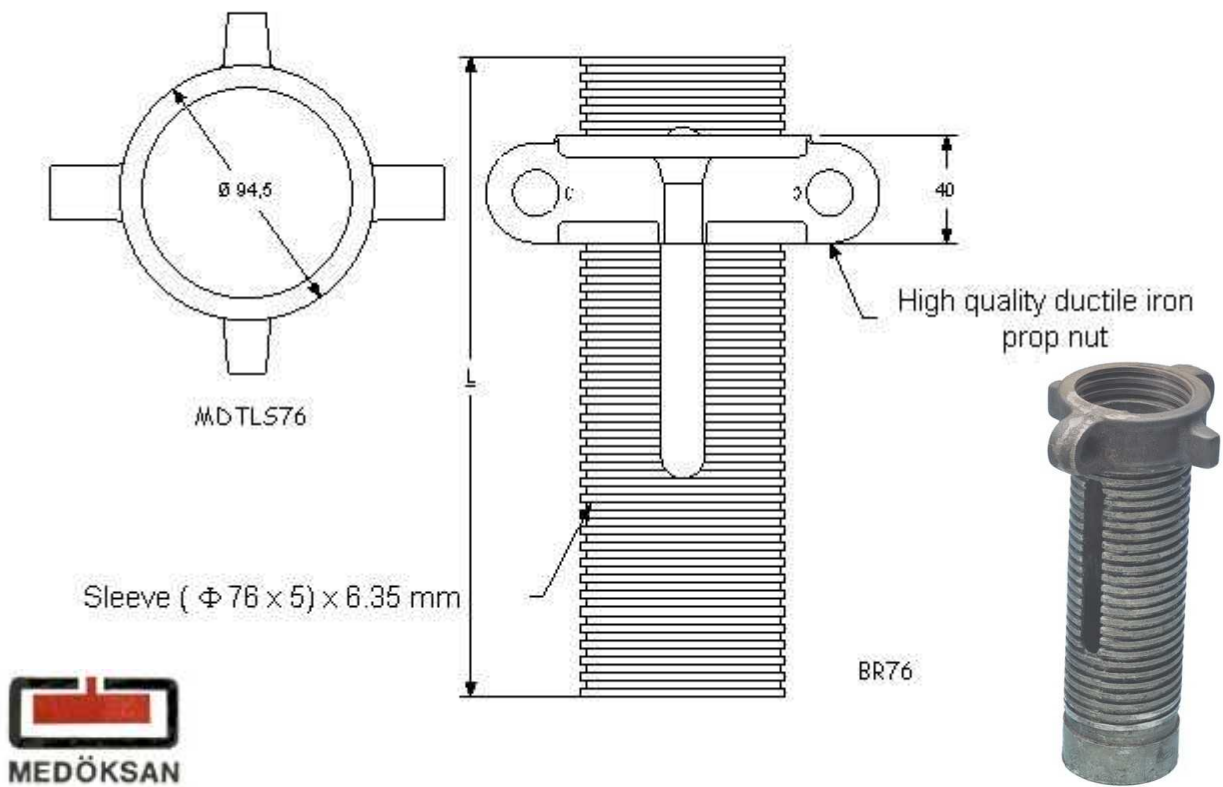


Illustration 11.:76 mm Φ Adjustable Prop Sleeve and Nut

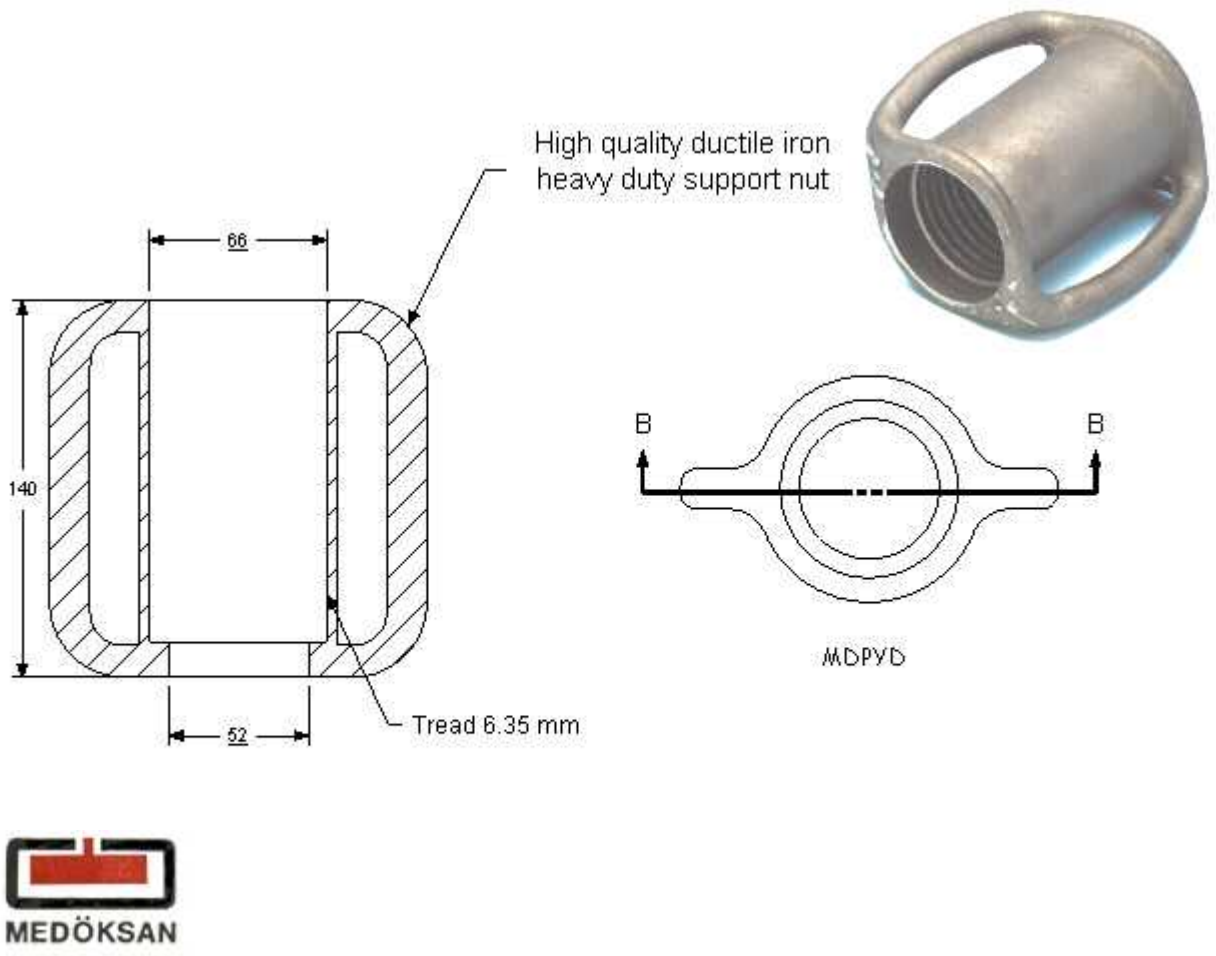


Illustration 12.:Heavy Duty Support Nut

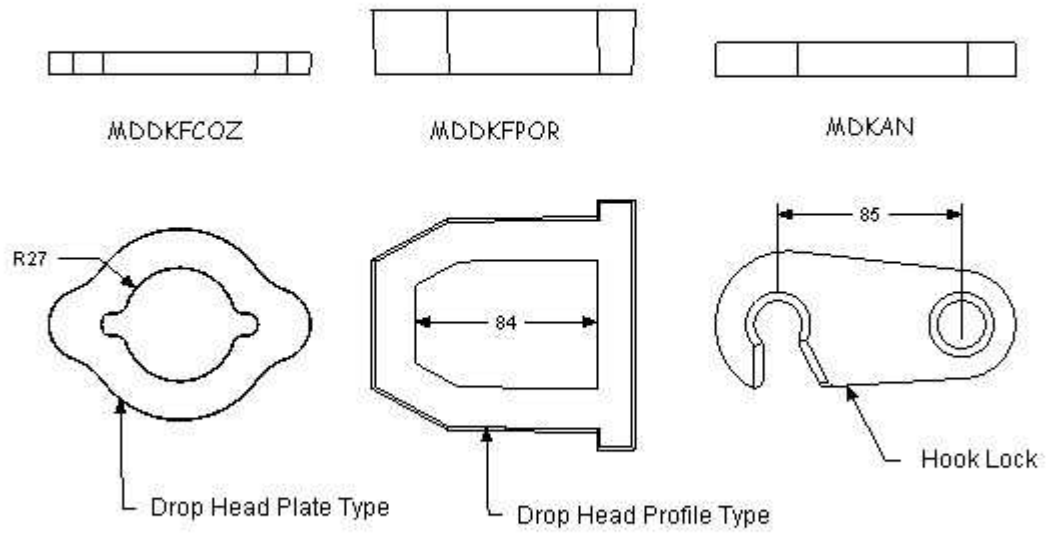
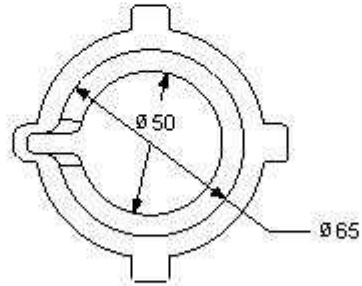
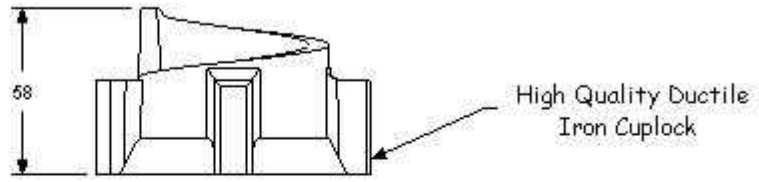


Illustration 13.: Drop Heads and Hooked Lock

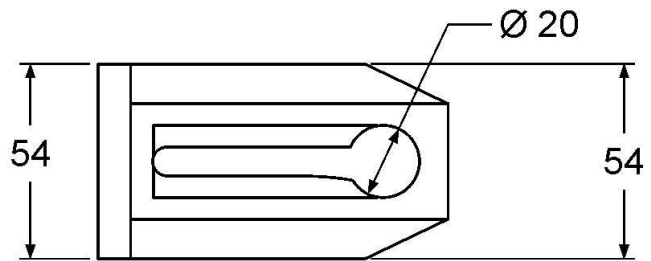
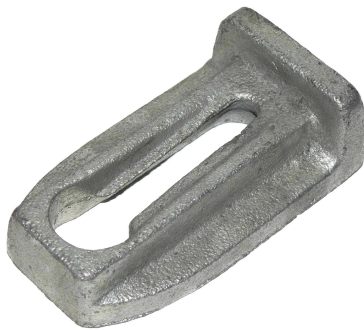




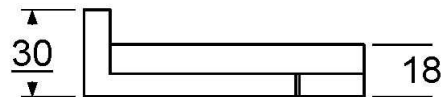
MDISK6550



Illustration 14.:Cuplock



High quality ductile iron panel connecting lock



MDTKNKL



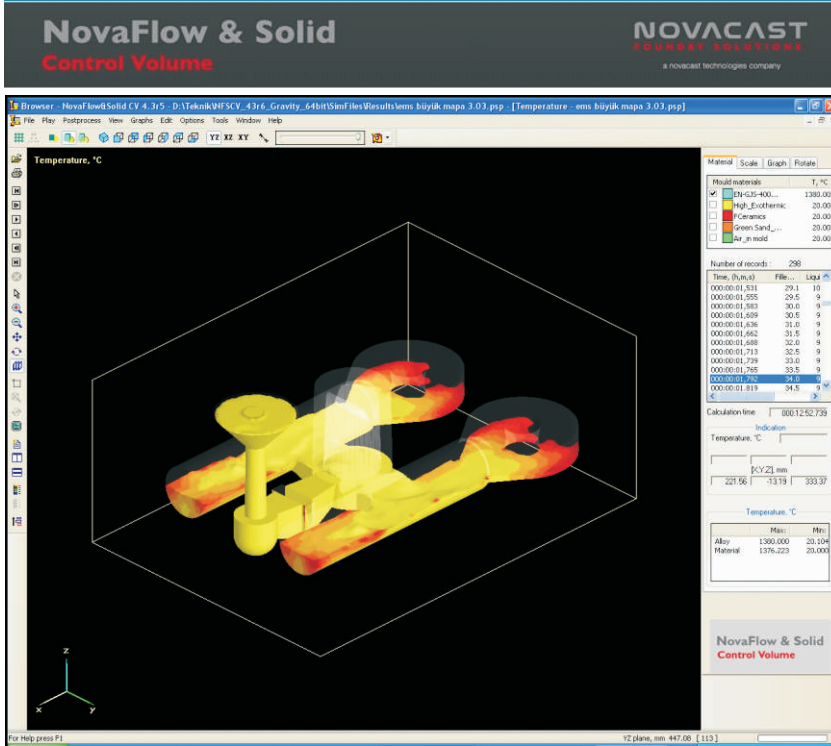
Illustration 15.:Panel Connecting Lock



For High Quality Zero Defect Casting

Latest Technology Products

Casting Simulation Softwares



Chemical Analysis Control

ARL Laboratory Spectrometer

Metallography Laboratory



**Sand Laboratory
Hardness Testing**

Medoksan Ltd.

medoksan@gmail.com

Tel:90-236-2332327

Fax:90-236-2336618