



EM-POLI LTD

**METAL
FABRICATION**

SINCE 1995

YOU NEED INDUSTRIAL SOLUTIONS...WE ARE AVAILABLE FOR YOU

ABOUT US

Who are we?

EM-POLI LTD was established in the city of Kyustendil, Bulgaria in 1995 as a trading company, supplier and distributor of products for the construction industry. After establishing a successful sales network, we opened our first production facility. We assembled a team of engineers and set up a production line for paint rollers and hinges, resulting in excellence in all different types of metal products, adding many products to our portfolio over time. As our assets evolved, we have started producing custom parts for many different industries.

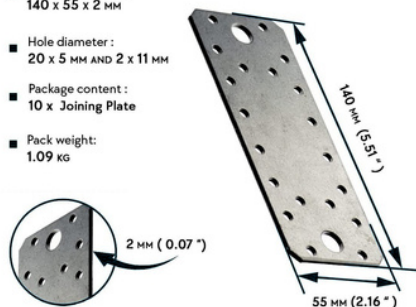


OUR PRODUCTS

We manufacture over 200 products used by construction companies all over Europe and UK.

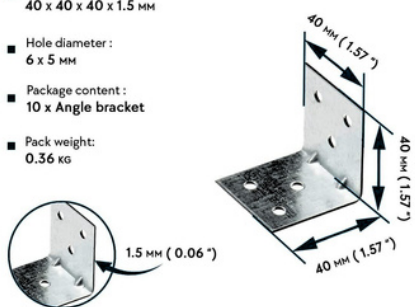
DETAILED INFO

- Joining Plate size : 140 x 55 x 2 MM
- Hole diameter : 20 x 5 MM AND 2 x 11 MM
- Package content : 10 x Joining Plate
- Pack weight : 1.09 KG



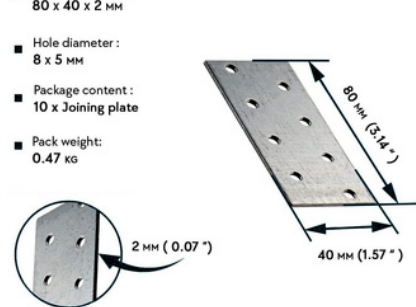
DETAILED INFO

- Bracket size : 40 x 40 x 40 x 1.5 MM
- Hole diameter : 6 x 5 MM
- Package content : 10 x Angle bracket
- Pack weight : 0.36 KG



DETAILED INFO

- Joining plate size : 80 x 40 x 2 MM
- Hole diameter : 8 x 5 MM
- Package content : 10 x Joining plate
- Pack weight : 0.47 KG



Our products, such as construction brackets, are CE marked and lab tested for mechanical properties according to The European technical assessment (ETA), which is an alternative for construction products not covered by a harmonised standard. It is a document providing information on their performance assessment. The procedure is established in the construction products regulation and offers manufacturers a way to draw up a declaration of performance and affix the CE marking.

Premium Galvanised (Zink plated) design

anti-rust and anti-corrosion study and durable reinforced design

Double perforated Galvanised Rust proof

Premium Galvanised (Zink plated) design

ANTI-RUST AND ANTI-CORROSION STUDY AND DURABLE REINFORCED DESIGN

Rib design Galvanised Rust proof

Premium Galvanised (Zink plated) design

ANTI-RUST AND ANTI-CORROSION STUDY AND DURABLE REINFORCED DESIGN

Rib design Galvanised Rust proof

OTHER PRODUCTS

Our portfolio includes over 300 products outsourced to us by various manufacturing partners.

Our company specializes in providing stamping solutions and comprehensive support for the manufacturing, assembly, final packaging and shipping of custom sheet metal products tailored to client specifications.

We manage the outsourcing of over 300 products across various industries, including automotive, industrial machinery, electrical and electronics and construction.

We ensure all operations are continuously monitored under the ISO 9001 quality management framework. We successfully produced over 3,000,000 parts in 2023, which needed more than 10,000,000 operations to complete. As our company is constantly increasing the automation of production processes, we possess the capacity to handle outsourced manufacturing requests.

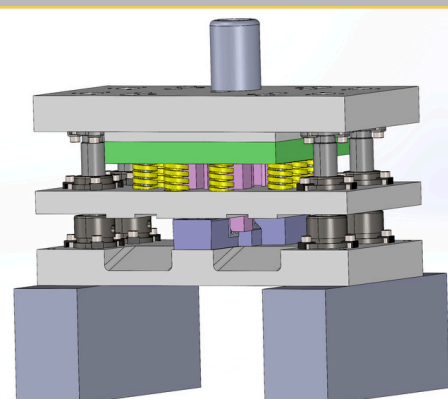
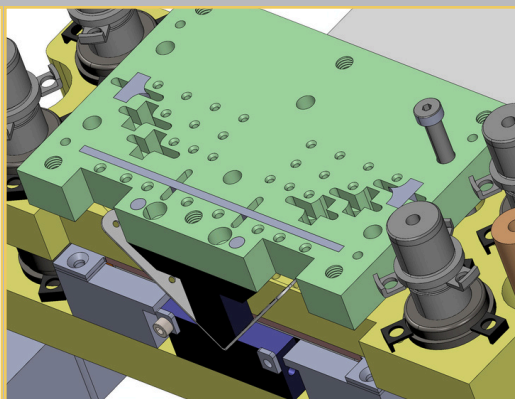
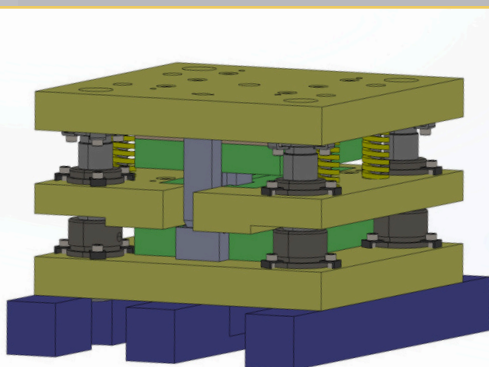


TOOLING & EQUIPMENT

We specialize in designing and manufacturing the tooling necessary for efficient and rapid production of custom parts to meet our clients' specifications. Our in-house design and manufacturing of dies significantly reduce both time and cost for our clients. All our tooling is produced to the highest standards, using premium materials to ensure the precision and durability required for large-scale operations.



Our factory encompasses an 8,500 m² facility dedicated to production and warehousing operations. We operate over 23 power presses with capacities ranging from 16 to 100 tons. Our automation lines, equipped with decoilers and automatic feeders, enable cost-effective and high-volume production.





CONTACT INFO



0896893594



office@empoli.bg



Industriana Str. 50, Kyustendil



Contact us and our sales department will provide you with free quotes for your custom products.
