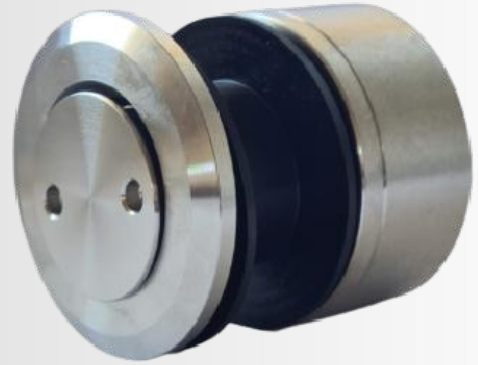


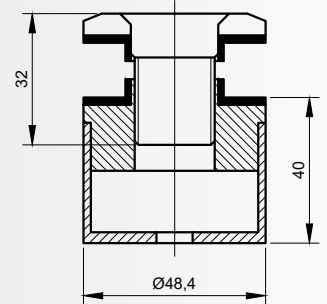
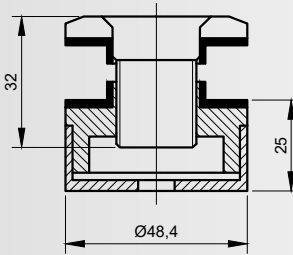
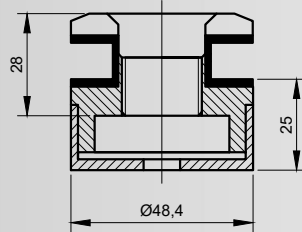
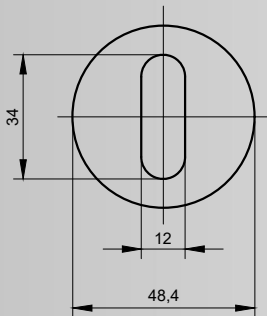
SPIDER GLASS FITTING

IST 484



MOUNTING DISTANCE
FROM WALL/GLASS
OFFERS ADJUSTMENTS:

- ▶ HORIZONTAL/VERTICAL
IN ALL DIRECTIONS ± 11 mm
- ▶ DEPTH 0-5mm



Cat. No.		IST 484 25 10 A2	IST 484 25 10 A4	IST 484 25 15 A2	IST 484 25 15 A4	IST 484 40 15 A2	IST 484 40 15 A4
GLASS BORE		30 mm	30 mm	30 mm	30 mm	30 mm	30 mm
MOUNTING DISTANCE GLASS/WALL		25 mm	25 mm	25 mm	25 mm	40 mm	40 mm
GLASS THICKNESS	ESG	10-12 mm	10-12 mm	15-19 mm	15-19 mm	10-19 mm	10-19 mm
	VSG	11-13 mm	11-13 mm	17-21 mm	17-21 mm	11-21 mm	11-21 mm
INOX		AISI 304	AISI 316	AISI 304	AISI 316	AISI 304	AISI 316
MAXIMUM PAYLOAD	Q	4,0 kN	4,0 kN	4,0 kN	4,0 kN	3,5 kN	3,5 kN
	N	6,0 kN	6,0 kN	6,0 kN	6,0 kN	5,0 kN	5,0 kN

- ▶ EASY INSTALATION AND FIXING OF THE GLASS
- ▶ ADJUSTMENT OF DISTANCE IS POSSIBLE AFTER THE GLASS HAS BEEN MOUNTED
- ▶ POSSIBILITY OF CUSTOMIZED VERSIONS

- ▶ MATERIAL INOX AISI 304 OR AISI 316
- ▶ GLASS THICKNESS FROM 10 mm TEMPERED TO 10+10 mm TEMPERED AND LAMINATED
- ▶ MOUNTING DISTANCE MIN. 25 mm, MAX. 80 mm
- ▶ ADJUSTMENT RANGE 0-5 mm

