



TOOL-ROOM

CNC MACHINING



**Address**

38-471 Wojaszówka, Łęki Strzyżowskie 17



**Email**

[poczta@galkomtech.pl](mailto:poczta@galkomtech.pl)



**Phone**

+48 13 306 1157

+48 600 855 798

+48 662 174 503

**Galkom-Tech was established in 2003.**

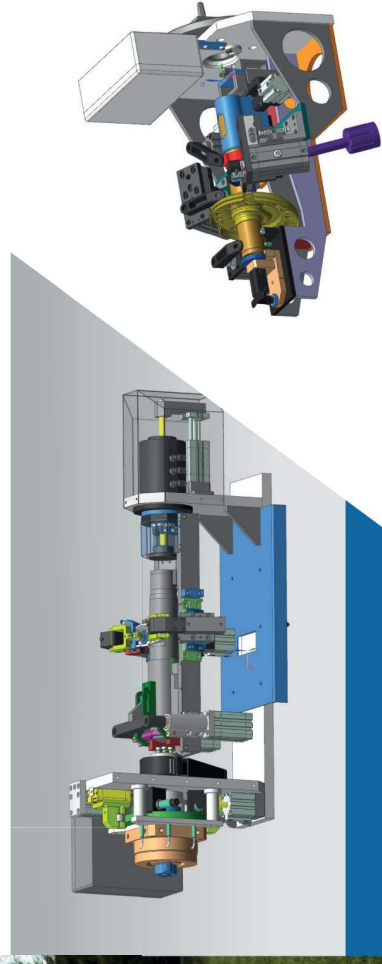
**Its development has turned it into a modern company cooperating with national and foreign companies.**

The company has had ISO 9001-2015 quality management system and ERP company management system implemented for years and has set up a construction and technology office.

An important factor indicating the value of a company is its staff. The company employs highly qualified engineering, technical and production staff.



[www.galkomtech.pl](http://www.galkomtech.pl)



## OUR MACHINE PARK

### ▶ Machining centres of 3, 4 and 5 axes:

- HERMLE 650,
- AVIA VMC 1000,
- AVIA X-5,
- AVIA VMC 800,

Working space: 1050 x 900 x 600

### ▶ CNC lathes:

- TAE 35 N,
- HWACHEON Hi - TECH 230 BXL YMC  
working with 4 axes and powered tools

Turning range: fi 400 x 1060

### ▶ CNC grinder for rollers and holes CNC STUDER favorit 1044

- grinding range: fi 350 x 1000
- possibility to grind irregular shapes

### ▶ Sinker and wire EDM machines:

- F-my AG Harmilles: CUT E 600, FORM 30

### ▶ Other CNC and traditional machines:

- boring machines
- surface grinders
- drillers
- hole grinders
- presses
- sharpeners



## SCOPE OF OFFER

### ▶ production of parts for industry

- air,
- automotive,
- metallurgic

### ▶ processing of iron

### ▶ castings and forgings

### ▶ production of machine parts



## WE DESIGN AND MAKE

- ▶ automated assembly, welding and control equipment.
- ▶ blanking dies, stamping dies,
- ▶ machining tools: milling machines, lathes, etc,
- ▶ gauges: assembly, jaw, roller, and other
- ▶ products made of sintered carbide: calibrating, guide gauges, etc,
- ▶ injection moulds for plastics
- ▶ glass moulds
- ▶ casting moulds for cast iron and aluminium
- ▶ welded structures, equipment for production halls



## COMPANY QUALITY ASSURANCE

Employee training, ISO 9001-2015 certificate, appropriate control, and measurement equipment allow us to achieve production that meets Customer expectations.



Q&R\_603

AC 136  
QMS



### ▶ We have the appropriate measurement facilities

- HEXAGON measuring machine
- Mitutoyo LH-600E height gauge
- technical optical and electron microscope
- other modern, conventional measuring tools

