



WALL PENSTOCK TYPE MV-ZNK

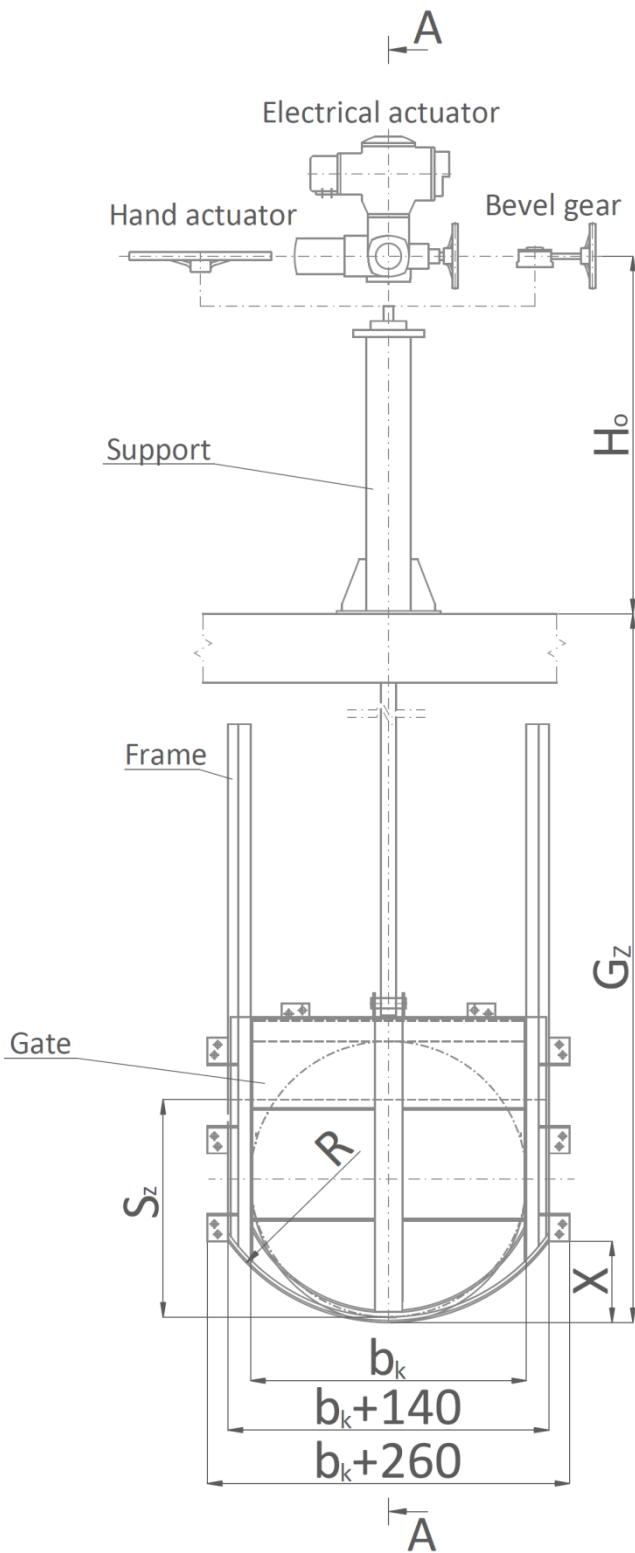
- wall penstocks are used for shutting off or adjusting the flow in channels with drinking water, waste water, cooling water, river water etc.,
- possibility of mounting at rounded bottom channel outlets providing four-sided leaktightness in both flow directions,
- FEM-aided individual structural calculations performed for specific operational parameters and places of installation,
- all stainless steel elements undergo etching and passivation by dipping or spraying,
- actuator is mounted directly on a frame, central or shifted support,
- penstocks are pressure tested in the factory.

TECHNICAL DATA

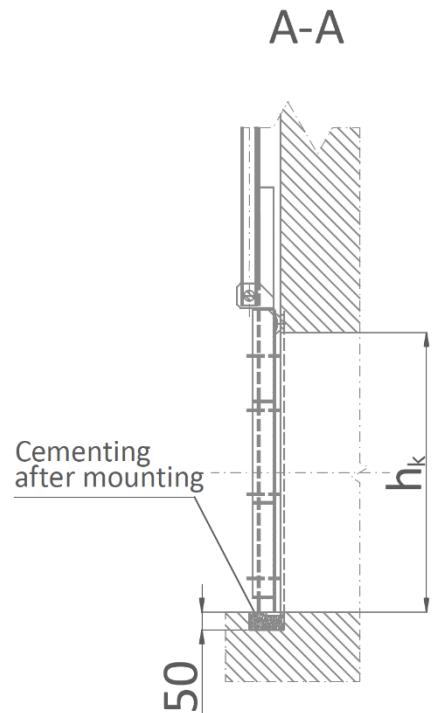
Work pressure:	up to 6mH ₂ O (tightness based on PN-EN 12266-2 table A.5 tightness class: C, tightness based on DIN 19569-4 tightness class: 3), available up to 10mH ₂ O on special orders
Penstock width: [mm]	150 to 4000, penstocks of widths exceeding 4000 are made to special orders
Gate height: [mm]	150 to 4000, penstocks of gate heights exceeding 4000 are made to special orders
Material:	1.4301, 1.4541, 1.4571, Duplex, etc.
Actuator:	electric, pneumatic, hand actuator, bevel gear
Seal:	EPDM, NBR, Viton or others



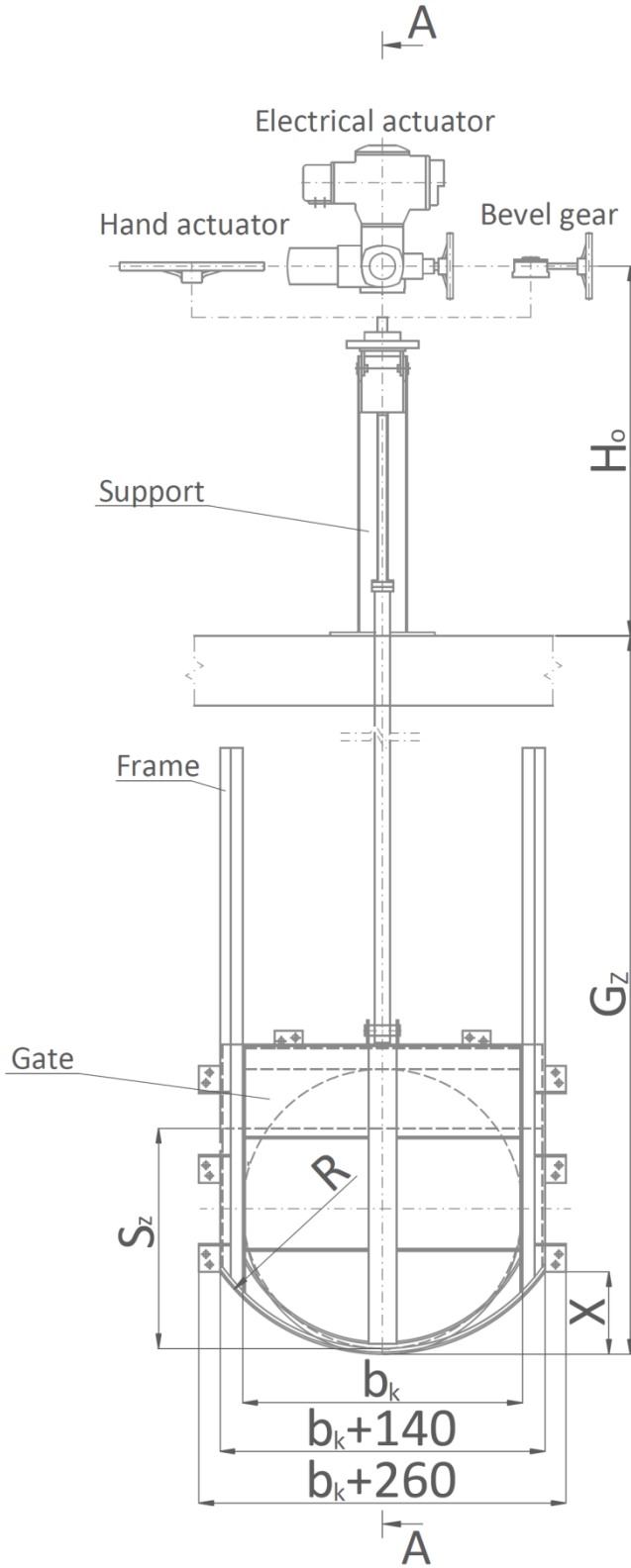
Penstock type MV-ZNK Wall penstock with a central support



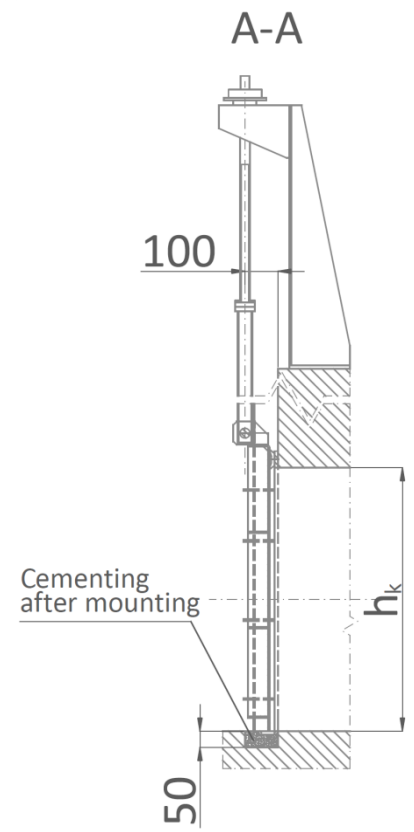
Channel width	$b_k =$
Channel height	$h_k =$
Depth	$G_z =$
Scope	$S_z =$
Radius of the lower beam	$R =$
Height of the lower beam	$X =$
Height from operating level	$H_0 =$
Actuator
Pressure [mH ₂ O]
Seal*:	
EPDM/NBR/Viton	
* delete as appropriate	



Penstock type MV-ZNP Wall penstock with a shifted support

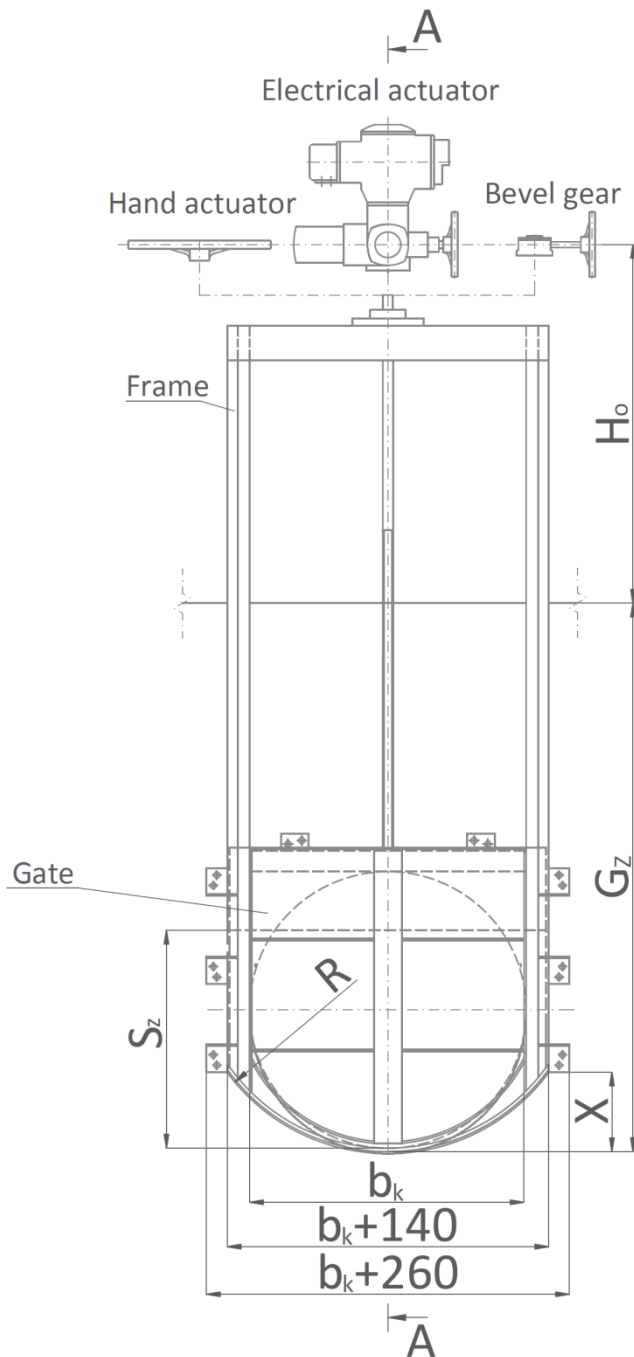


Channel width	$b_k = \dots\dots\dots$
Channel height	$h_k = \dots\dots\dots$
Depth	$G_z = \dots\dots\dots$
Scope	$S_z = \dots\dots\dots$
Radius of the lower beam	$R = \dots\dots\dots$
Height of the lower beam	$X = \dots\dots\dots$
Height from operating level	$H_0 = \dots\dots\dots$
Actuator	$\dots\dots\dots$
Pressure [mH ₂ O]	$\dots\dots\dots$
Seal*:	
EPDM/NBR/Viton	
* delete as appropriate	

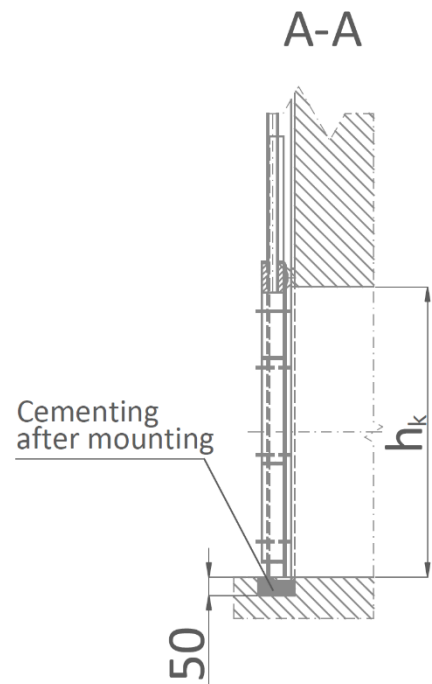


Penstock type MV-ZNP

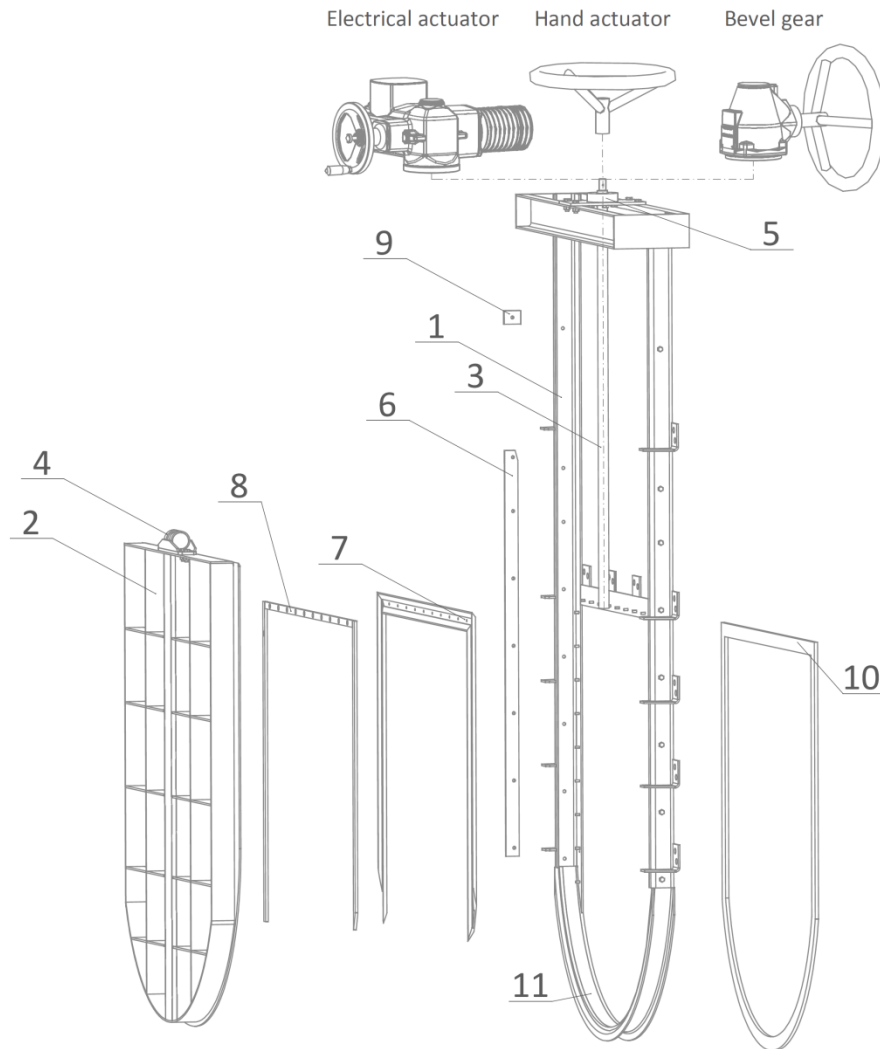
Wall penstock with a frame extended to the operating level



- Channel width bk =
- Channel height hk =
- Depth Gz =
- Scope Sz =
- Radius of the lower beam R =
- Height of the lower beam X =
- Height from operating level H0 =
- Actuator
- Pressure [mH2O]
- Seal*:
EPDM/NBR/Viton
- * delete as appropriate



Penstock type MV-ZNP



No.	Element	Material*
1	Welded frame	1.4301, 1.4541, 1.4571, Duplex, etc.
2	Gate	1.4301, 1.4541, 1.4571, Duplex, etc.
3	Stem	1.4301, 1.4541, 1.4571, etc.
4	Stem nut	Self-lubricating brass Rg7
5	Ball bearings	Stainless steel
6	Sliders	POM-C or PTFE,
7	Seal	EPDM, NBR, Viton
8	Holdfast seals	1.4301, 1.4541, 1.4571, Duplex, etc.
9	Bumper	POM-C or PTFE
10	Wall seal	Foam
11	Lower seal	EPDM, NBR, Viton

* Delete as appropriate. Other versions available on special order



multivalve

Multivalve Sp. z o.o.
44-109 Gliwice, ul. Eiffel'a 6
tel. + 48 32 661 00 00
fax: + 48 32 661 00 01
multivalve@multivalve.pl
www.multivalve.pl

TÜV Rheinland certified
ISO 9001 - 2008