



STOP LOG TYPE MV-ZSZ

- stop log is used for shutting off or adjusting the flow in channels with drinking water, waste water, cooling water, river water etc.,
- appropriate pressure of beams, guaranteeing their tightness is ensured by a special compression key,
- stop log can also be used to shut off the flow of liquids during repairs done in buildings,
- use of adjusting screws provides a simple and accurate mounting in the grooves,
- FEM-aided individual structural calculations performed for specific operational parameters and places of installation,
- all stainless steel elements undergo etching and passivation by dipping or spraying.

TECHNICAL DATA

Work pressure:	up to top of the stop log (tightness based on PN-EN 12266-2, table A.5, leaktightness class: C, tightness based on DIN 19569-4 tightness class: 3)
Width: [mm]	up to 6000, widths exceeding 6000 mm require an extra column
Height: [mm]	up to 1500, stop logs of heights exceeding 1500 are made to special orders
Material:	1.4301, 1.4462, 1.4539, 1.4571, Aluminium
Seal:	EPDM, NBR, Viton, etc.

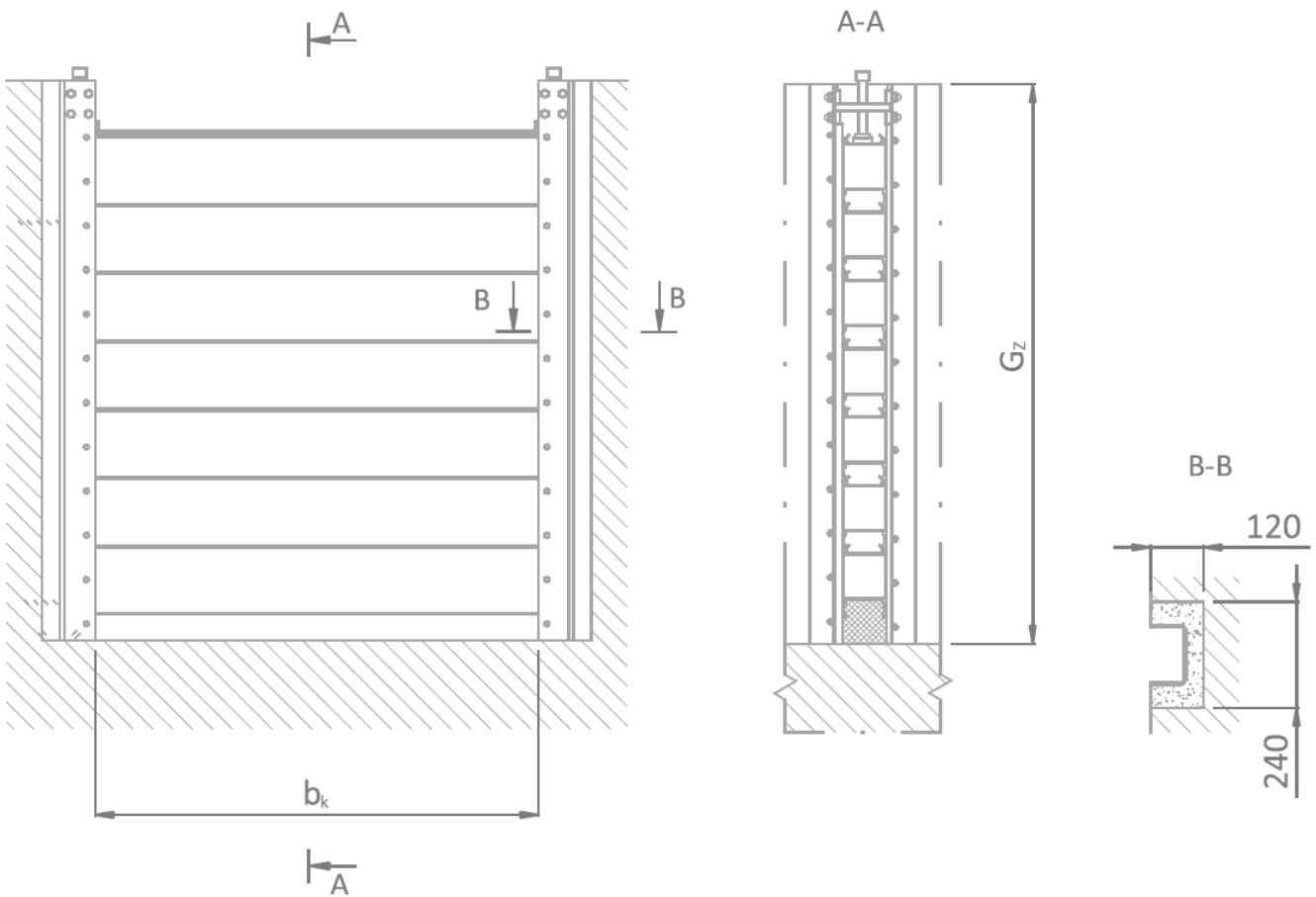




Stop log type MV-ZSZ

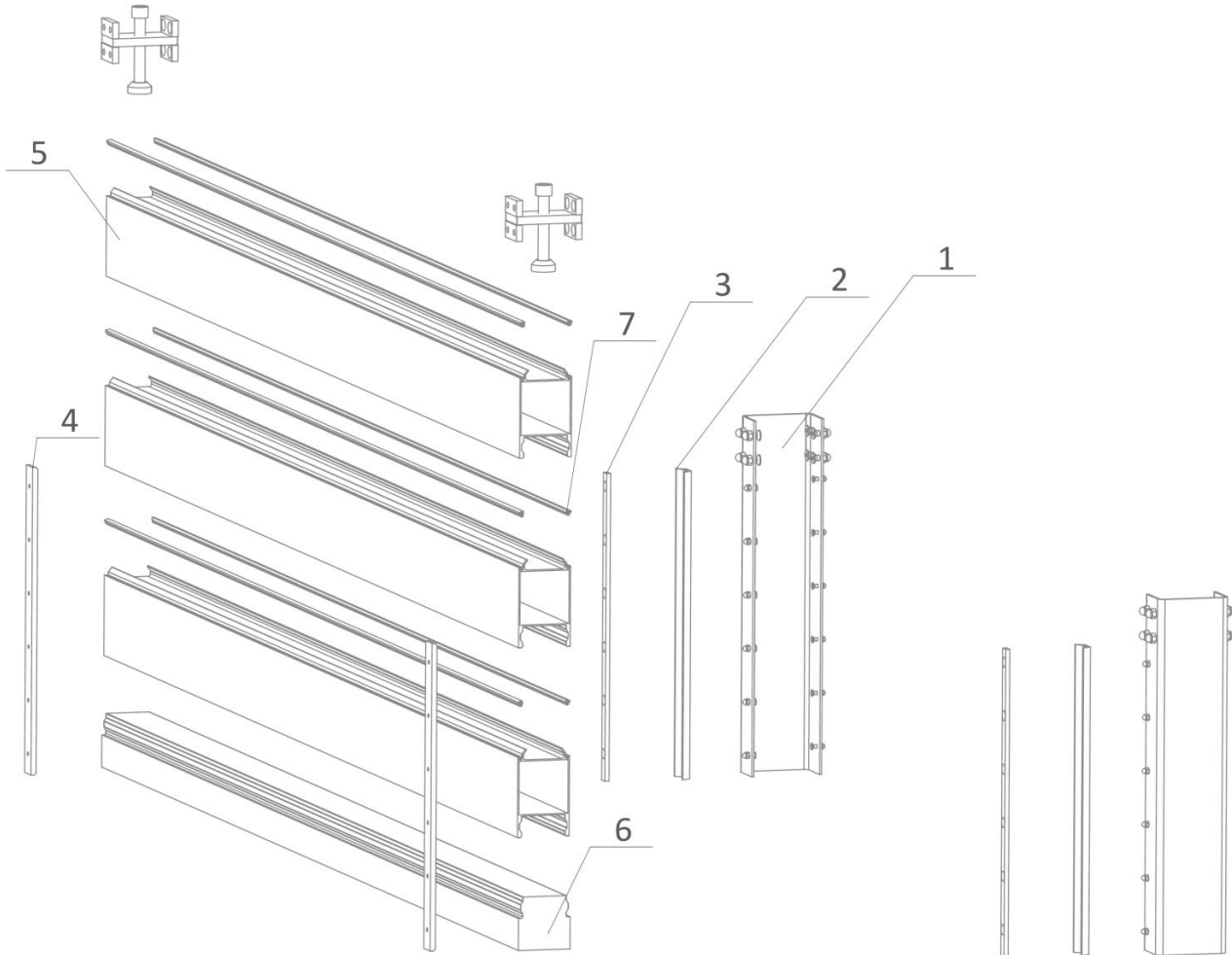
Channel width $b_k = \dots\dots\dots$

Depth $G_z = \dots\dots\dots$





Stop log type MV-ZSZ



No.	Element	Material*
1	End columns	1.4301, 1.4541, 1.4571, Duplex, etc.
2	Seal	EPDM, NBR, Viton
3	Seal holdfast	1.4301, 1.4541, 1.4571, Duplex, etc.
4	Sliders	POM-C or PTFE
5	Beams	1.4301, 1.4462, 1.4539, 1.4571, Aluminium
6	Lower seal	EPDM, NBR, Viton
7	Seal between beams	EPDM, NBR, Viton
8	Compression key	1.4301, 1.4541, 1.4571, Duplex, etc.

* Delete as appropriate. Other versions available on special order



multivalve

Multivalve Sp. z o.o.
44-109 Gliwice, ul. Eiffel'a 6
tel. + 48 32 661 00 00
fax: + 48 32 661 00 01
multivalve@multivalve.pl
www.multivalve.pl

TÜV Rheinland certified
ISO 9001 - 2008