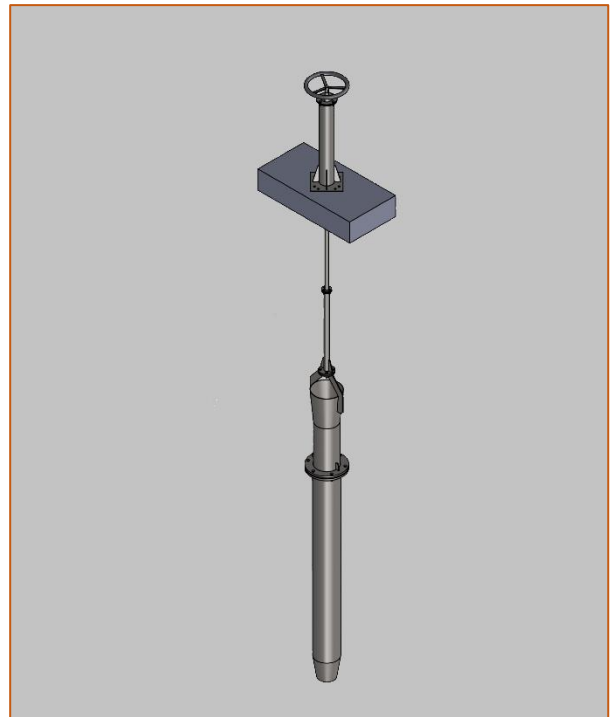


## TELESCOPIC VALVE TYPE MV-PT

- telescopic valve is used for regulate the level of the medium in the tank with drinking water, waste water, cooling water, river water etc.,
- design featuring heated side walls enables work in all weather conditions,
- FEM-aided individual structural calculations performed for specific operational parameters and places of installation,
- all stainless steel elements undergo etching and passivation by dipping or spraying
- telescopic valve is actuator is mounted on a central or shifted support.

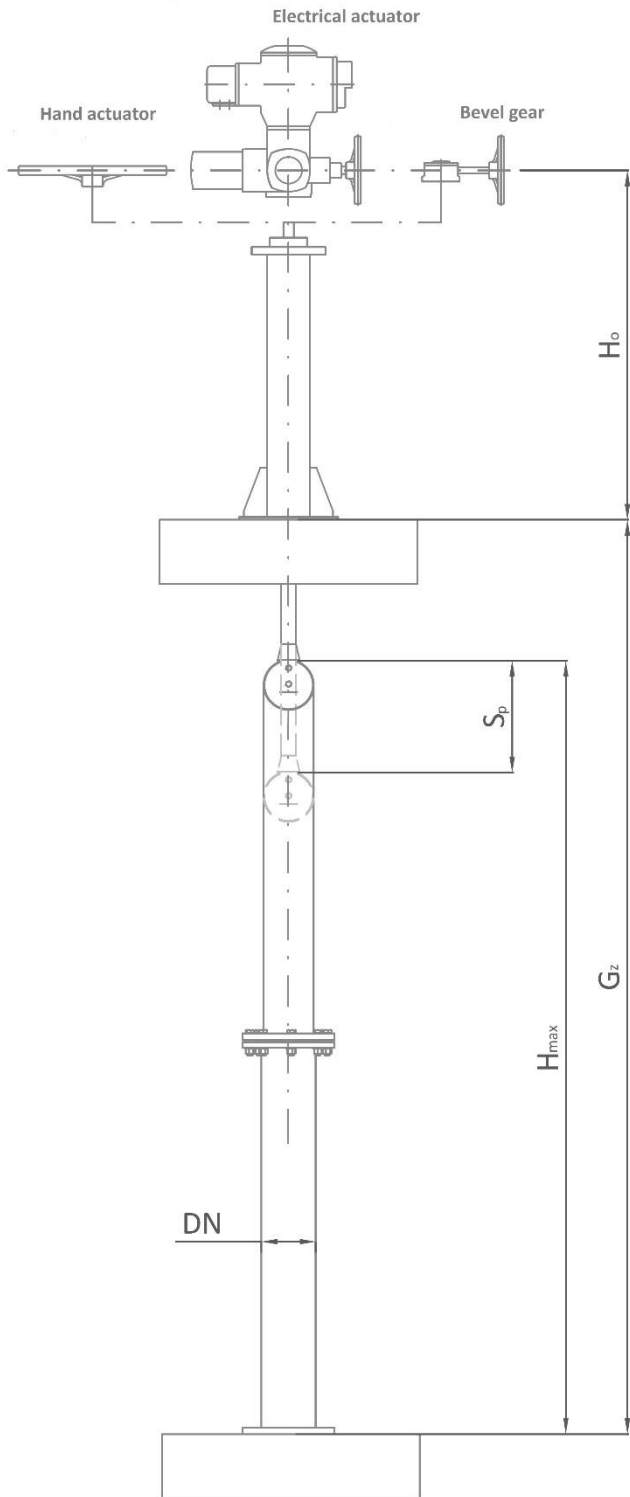
### TECHNICAL DATA

<b>Nominal dimensions:</b>	according to customer requirements
<b>Actuator:</b>	electric, pneumatic, hand actuator, bevel gear
<b>Actuator connection:</b>	ISO 5211 or others
<b>Material:</b>	1.4301, 1.4541, 1.4571, Duplex or others
<b>Corrosion protection:</b>	primer painting, epoxy/bitumen, coating, zinc plating or hot dip galvanization, etching and passivation (stainless and acid resistant steels)
<b>Seal:</b>	EPDM, NBR, Viton or others





## Telescopic valve type MV-PT



Maximum height

$H_{max} = \dots\dots\dots$

Stroke

$H_p = \dots\dots\dots$

Depth

$G_z = \dots\dots\dots$

Height from operating level

$H_0 = \dots\dots\dots$

Actuator:

$\dots\dots\dots$

Seal\*:

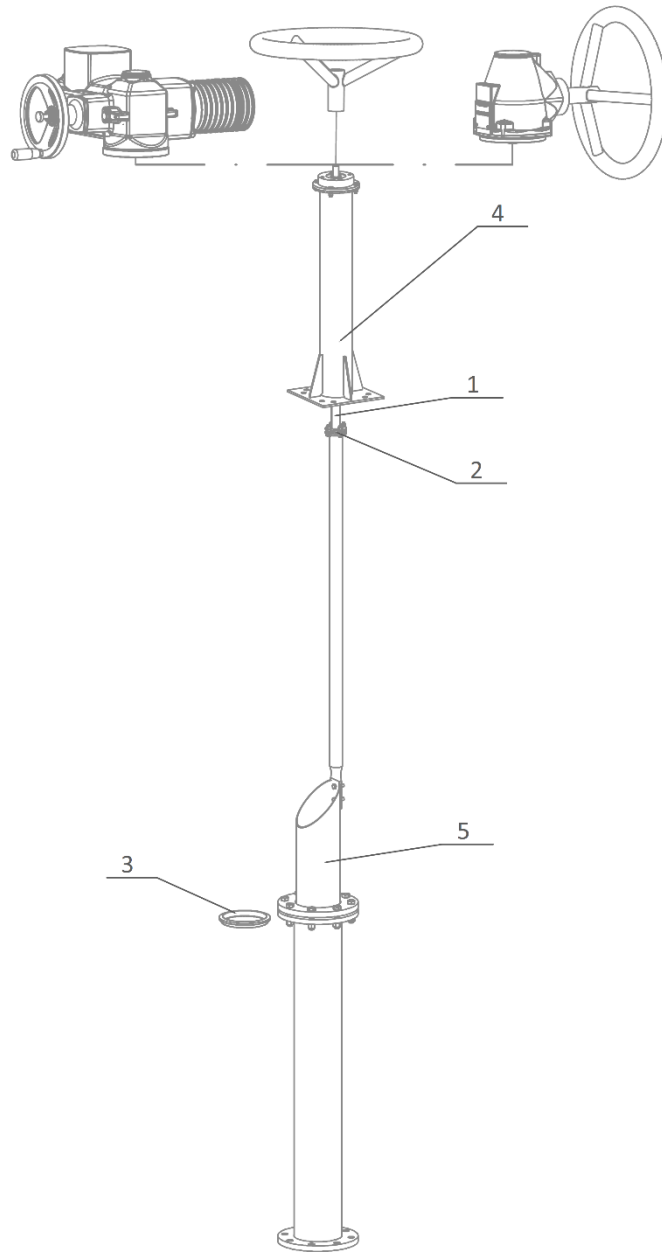
NBR/EPDM/Viton

\* delete as appropriate



## Telescopic valve type MV-PT

Electrical actuator      Hand actuator      Bevel gear



No.	Element	Material*
1	Stem	1.4301, 1.4541, 1.4571 or others
2	Stem nut	Self-lubricating brass Rg7
3	Seal	EPDM, NBR, Viton
4	Column	1.4301, 1.4541, 1.4571, Duplex or others
5	Pipe	1.4301, 1.4541, 1.4571, Duplex or others

\* Delete as appropriate. Other versions available on special order



**multivalve**

Multivalve Sp. z o.o.  
44-109 Gliwice, ul. Eiffel'a 6  
tel. + 48 32 661 00 00  
fax: + 48 32 661 00 01  
multivalve@multivalve.pl  
www.multivalve.pl

TÜV Rheinland certified  
**ISO 9001 - 2008**