

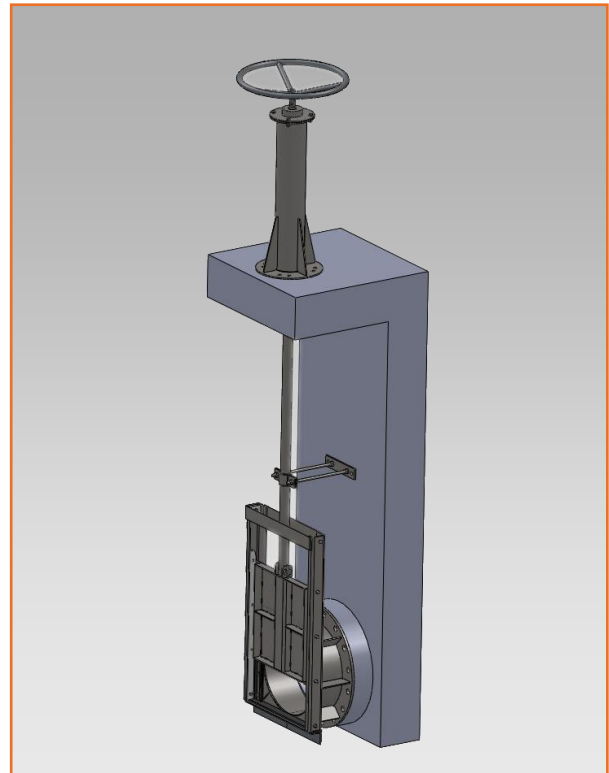


FLANGE PENSTOCK TYPE MV-ZKO

- flange penstocks are used for shutting off or adjusting the flow in channels with drinking water, waste water, cooling water, river water etc.,
- penstock can be mounted on pipelines,
- FEM-aided individual structural calculations performed for specific operational parameters and places of installation,
- all stainless steel elements undergo etching and passivation by dipping or spraying,
- actuator is mounted directly on a frame, central or shifted support,
- penstocks are pressure tested in the factory.

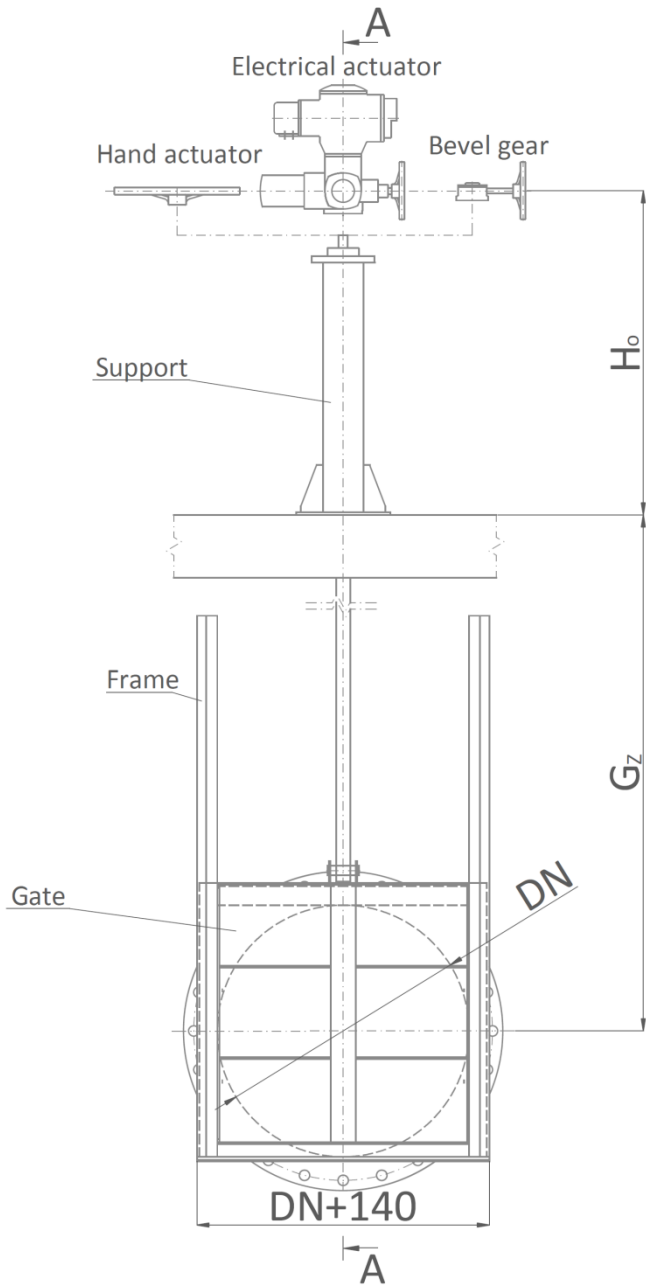
TECHNICAL DATA

Flange drilling:	PN 2,5, PN 6, PN 10, DIN 86044, DIN 24154 or others.
Nominal diameter:	DN 200 to DN 3000, customised diameters and diameters above DN 3000 made to special orders
Material:	1.4301, 1.4541, 1.4571, Duplex etc.
Actuator:	electric, pneumatic, hand actuator, bevel gear
Seal:	EPDM, NBR, Viton or others

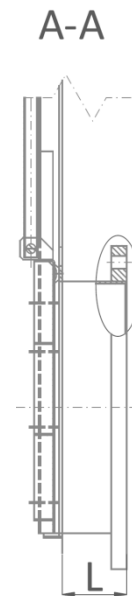




Penstock type MV-ZKO Flange penstock with a central support



- Nominal diameter DN =
- Depth G_z =
- Length L =
- Height from operating level H₀ =
- Actuator
- Pressure [mH₂O]
- Seal*:
EPDM/NBR/Viton
- * delete as appropriate





Penstock type MV-ZKO Flange penstock with a shifted support

Nominal diameter DN =

Depth G_z =

Length L =

Height from operating level H₀ =

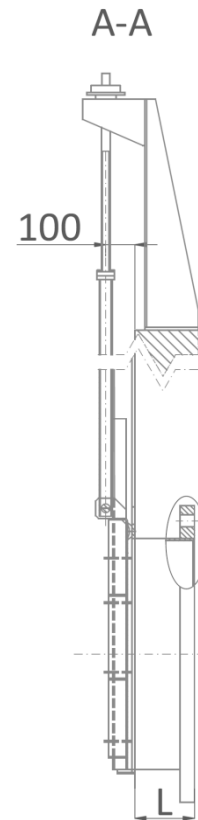
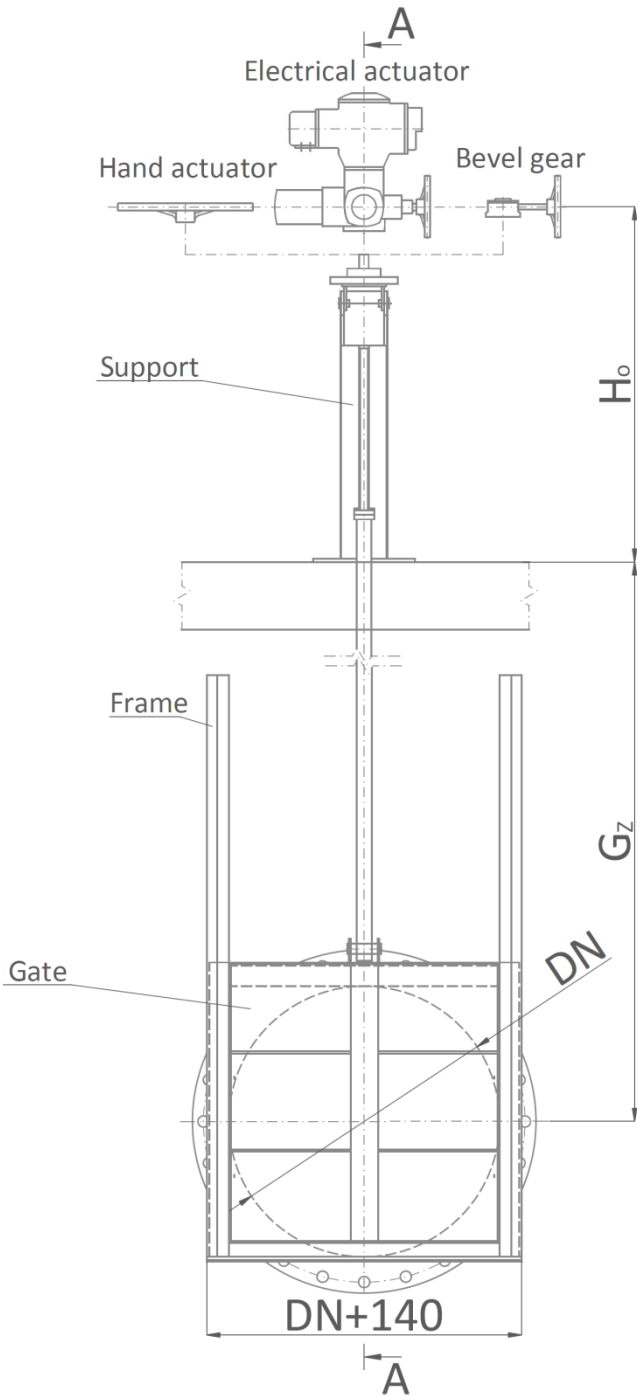
Actuator

Pressure [mH₂O]

Seal*:

EPDM/NBR/Viton

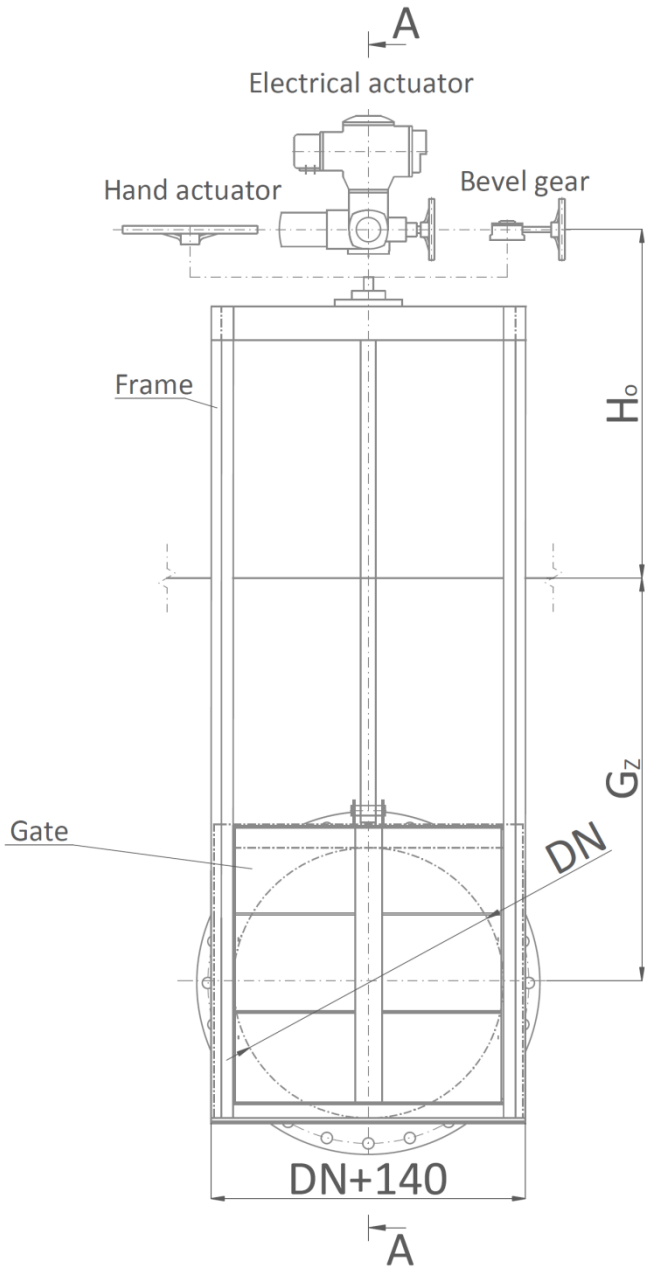
* delete as appropriate





Penstock type MV-ZKO

Flange penstock with a frame extended to the operating level



Nominal diameter DN =

Depth G_z =

Length L =

Height from operating level H_0 =

Actuator

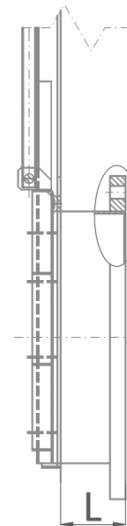
Pressure [mH₂O]

Seal*:

EPDM/NBR/Viton

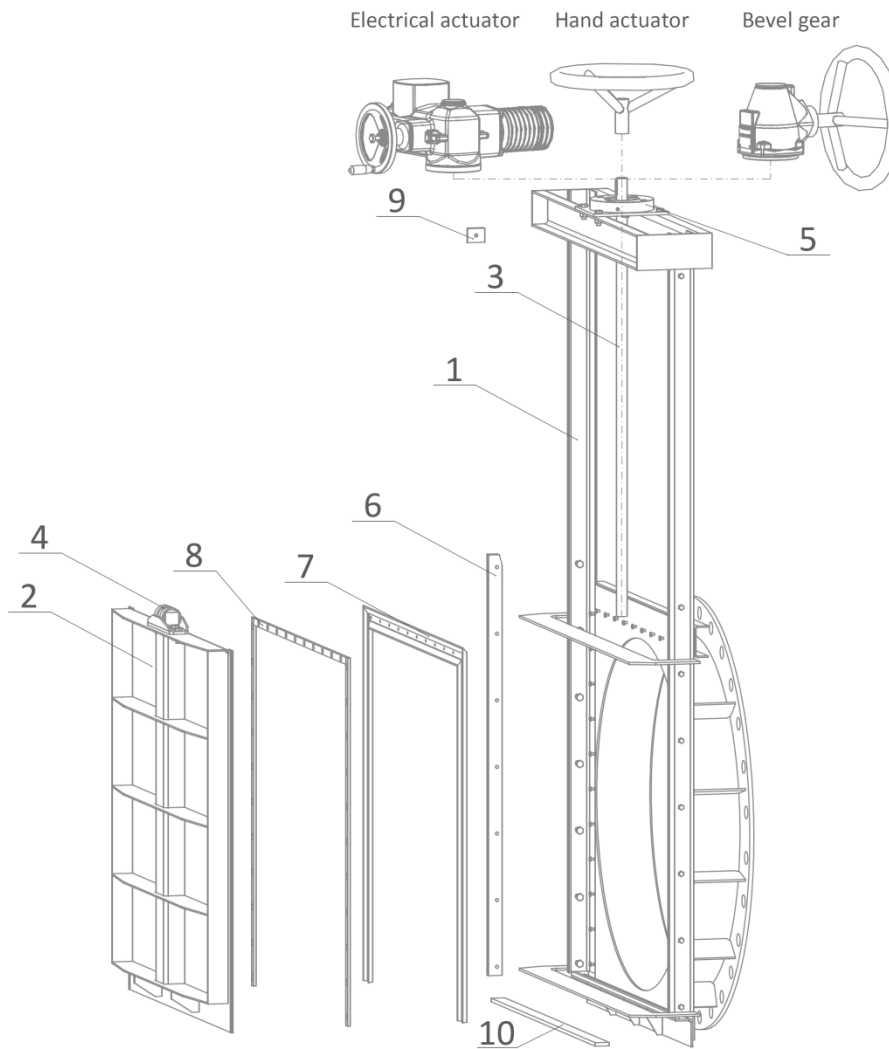
* delete as appropriate

A-A





Penstock type MV-ZKO



No.	Element	Material*
1	Welded frame	1.4301, 1.4541, 1.4571, Duplex, etc.
2	Gate	1.4301, 1.4541, 1.4571, Duplex, etc.
3	Stem	1.4301, 1.4541, 1.4571, etc.
4	Stem nut	Self-lubricating brass Rg7
5	Ball bearings	Stainless steel
6	Sliders	POM-C or PTFE,
7	Seal	EPDM, NBR, Viton
8	Holdfast seals	1.4301, 1.4541, 1.4571, Duplex, etc.
9	Bumper	POM-C or PTFE
10	Lower seal	EPDM, NBR, Viton

* Delete as appropriate. Other versions available on special order



multivalve

Multivalve Sp. z o.o.
44-109 Gliwice, ul. Eiffel'a 6
tel. + 48 32 661 00 00
fax: + 48 32 661 00 01
multivalve@multivalve.pl
www.multivalve.pl

TÜV Rheinland certified
ISO 9001 - 2008