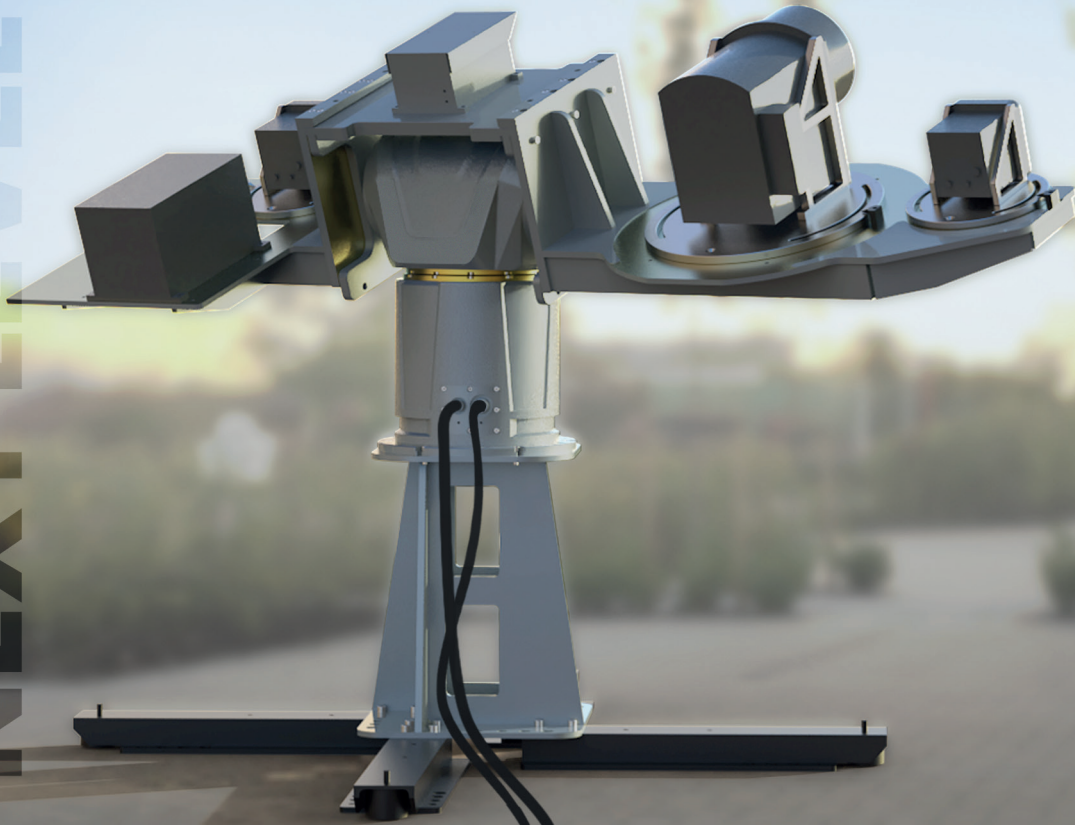


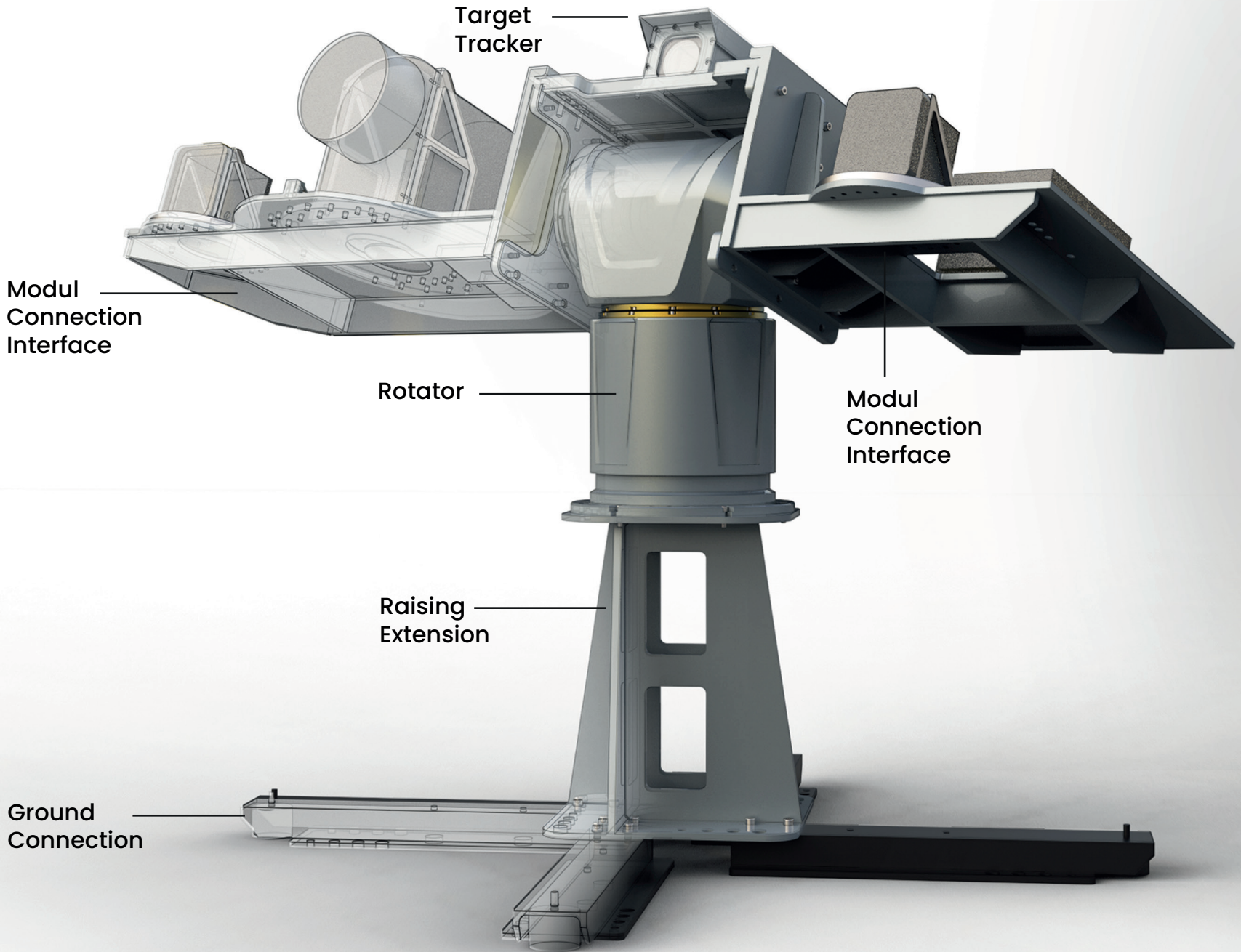
NEXT LEVEL ROBOTICS



Rotator & Target Tracking System



NXL
Robotics

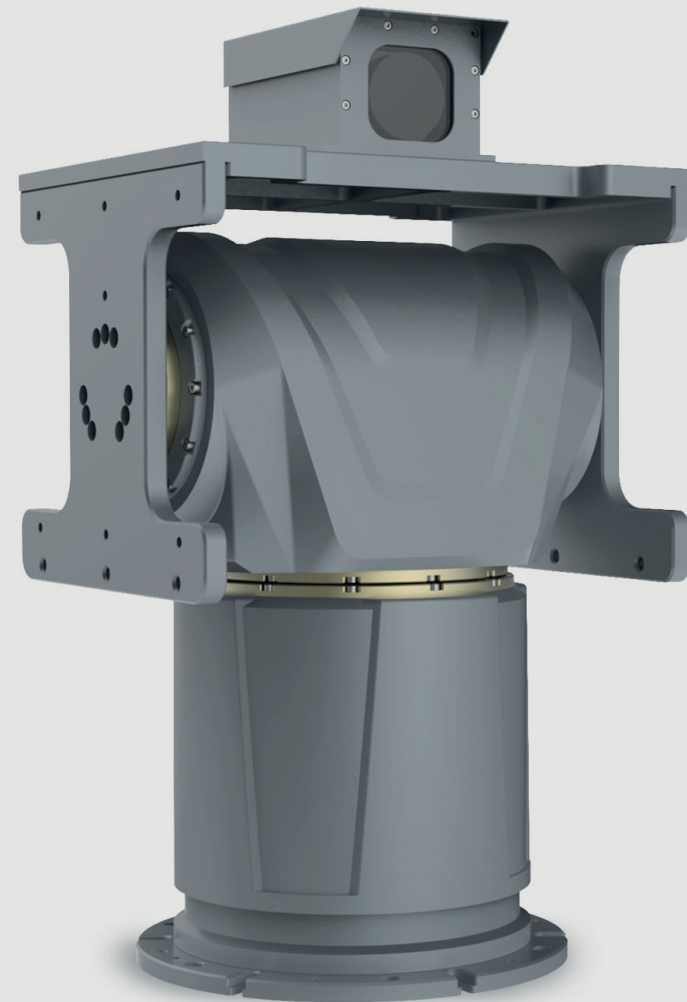


Product Description

PRODUCT TYPE : ROTATOR
MODEL : EL / AZ LIGHT
SERIAL NO : RTL/100 - 2022/4

Technical Specifications

- **Payload (kg)** _____ 150
- **Operating Torque (N.m)**
 - Azimuth _____ 90
 - Elevation _____ 300
- **Velocity (deg/sec)**
 - Azimuth _____ 50
 - Elevation _____ 50
- **Standard Repeatability (deg)** _____ ±0.05
- **Resolution(deg)** _____ 0.02
- **Operating Ranges(deg)**
 - Azimuth _____ ±185
 - Elevation _____ ±90



Product Description

PRODUCT TYPE : ROTATOR
MODEL : EL / AZ LIGHT
SERIAL NO : RTL/100 - 2022/4

Dimensions

