



WCF

Presentation



Headquarter - Germany

WCF is your reliable partner for heat-resistant castings with industrial demand.

The Wuxi Cast Foundry, or „WCF“ for short, is a German company that deals with steel, gray cast iron and nodular cast iron.

Our unique combination of German engineering and Chinese tradition enables us to provide you with products of the highest quality
- **Made in China with demand of German engineering** -



Headquarter - Germany



Talbenden 8, 52353 Düren

Headquarter - Germany



Ground floor – reception and office

Headquarter - Germany



1st floor – currently empty, but an extension is planned

Headquarter - Germany



2nd floor – penthouse apartment for visitors (customers and representatives)

Headquarter - Germany



Storage hall - receipt of goods, warehousing and quality assurance

Foundry Wuxi Cast in China

The foundry was founded in 1996 by Mr. Weijie Zhu. Like many famous companies, it started in a garage and until now he has successfully established one of the largest non-governmental foundries for heat-resistant stainless steel castings.

Employee

Worker:	220
Engineers:	30



Foundry Wuxi Cast in China - Manufacturing

- Sand casting on a moulding line
Box dimensions 1.200x800x600mm
max. unit weight 150kg



Foundry Wuxi Cast in China - Manufacturing

- Sand casting on a moulding line
Box dimensions 1.200x800x600mm
max. unit weight 150kg
- Sand casting hand formed
Box dimensions unlimited
max. unit weight 3.500kg



Foundry Wuxi Cast in China - Manufacturing

- Sand casting on a moulding line
Box dimensions 1.200x800x600mm
max. unit weight 150kg
- Sand casting hand formed
Box dimensions unlimited
max. unit weight 3.500kg
- Investment casting
max. unit weight 350kg



Foundry Wuxi Cast in China - Manufacturing

- Sand casting on a moulding line
Box dimensions 1.200x800x600mm
max. unit weight 150kg
- Sand casting hand formed
Box dimensions unlimited
max. unit weight 3.500kg
- Investment casting
max. unit weight 350kg
- Voxeljet VX2000
Highly efficient 3D printer for sand casting molds with a construction volume of up to 2000 liters



Foundry Wuxi Cast in China - Manufacturing

- Sand casting on a moulding line
Box dimensions 1.200x800x600mm
max. unit weight 150kg
- Sand casting hand formed
Box dimensions unlimited
max. unit weight 3.500kg
- Investment casting
max. unit weight 350kg
- Voxeljet VX2000
Highly efficient 3D printer for sand
casting molds with a construction
volume of up to 2000 liters
- Centrifugal casting
max. unit weight 1.200kg



Foundry Wuxi Cast in China - Manufacturing

- Precision casting (Green Wax)
Tolerance classes D1, D2, D3
acc. VDG P690



Foundry Wuxi Cast in China - Manufacturing

- Precision casting (Green Wax)
Tolerance classes D1, D2, D3
acc. VDG P690
- Shell moulding



Foundry Wuxi Cast in China - Manufacturing

- Precision casting (Green Wax)
Tolerance classes D1, D2, D3
acc. VDG P690
- Shell moulding
- Lost Foam



Foundry Wuxi Cast in China - Manufacturing

- Precision casting (Green Wax)
Tolerance classes D1, D2, D3
acc. VDG P690
- Shell moulding
- Lost Foam
- Assembly, mechanical processing,
construction welding

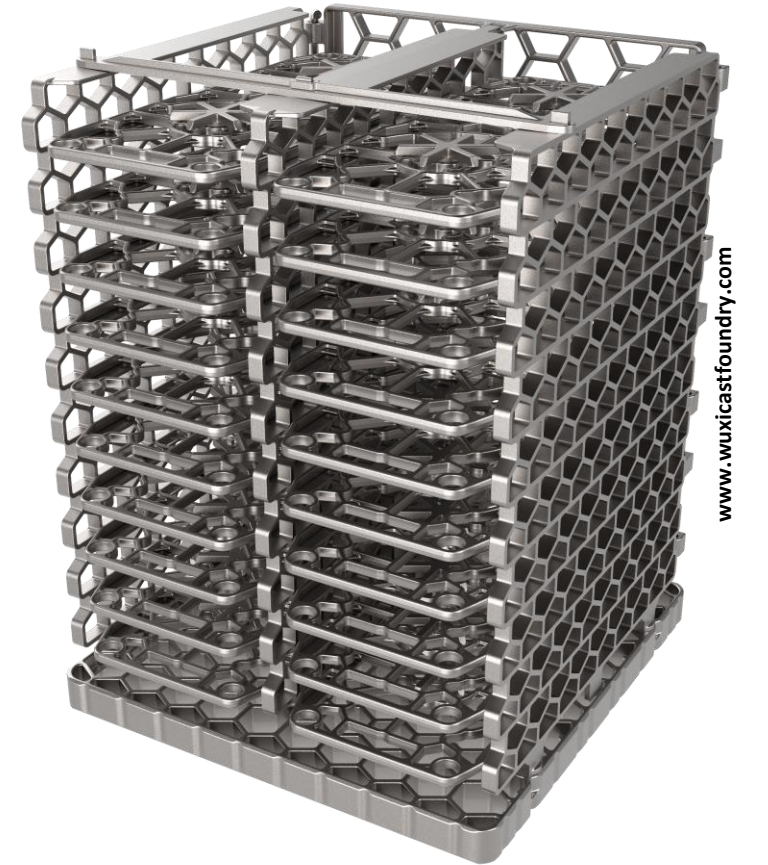
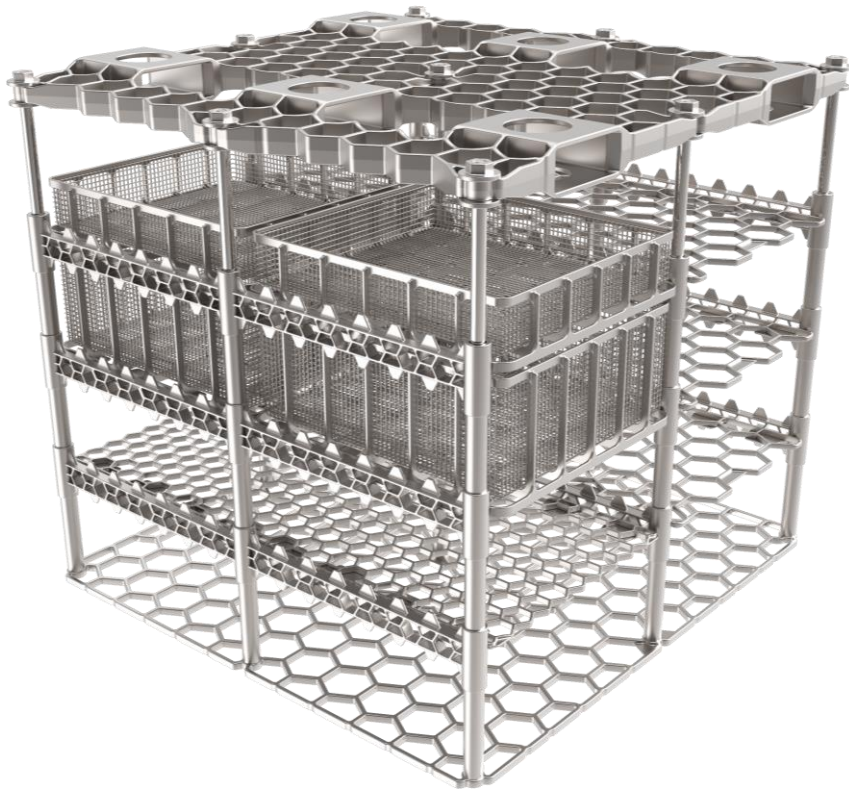


Foundry Wuxi Cast in China - Manufacturing

- Precision casting (Green Wax)
Tolerance classes D1, D2, D3
acc. VDG P690
- Shell moulding
- Lost Foam
- Assembly, mechanical processing,
construction welding
- Forging parts



Hardening Industry



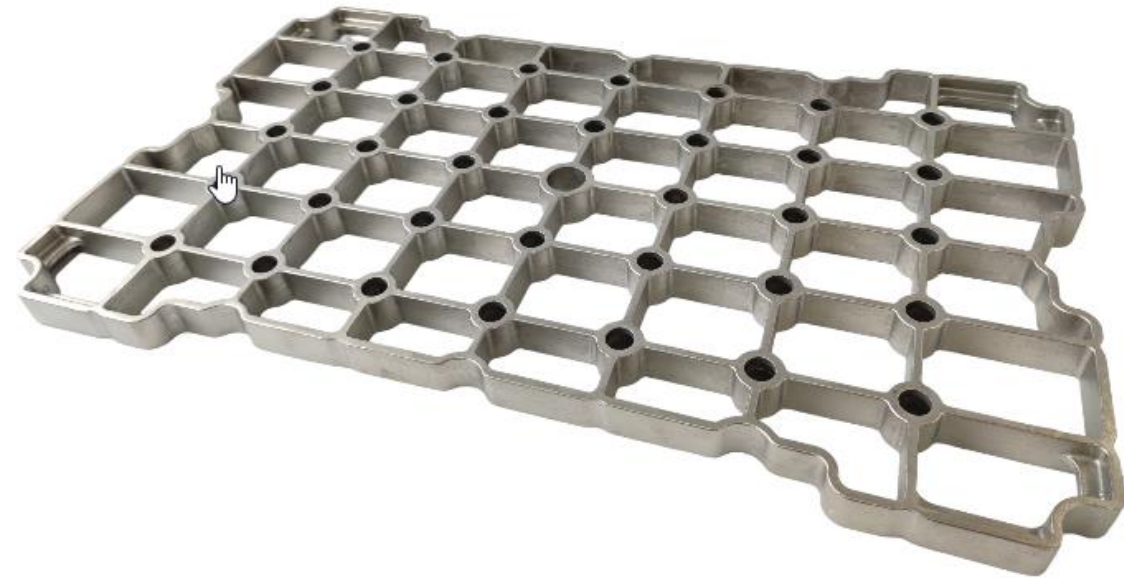
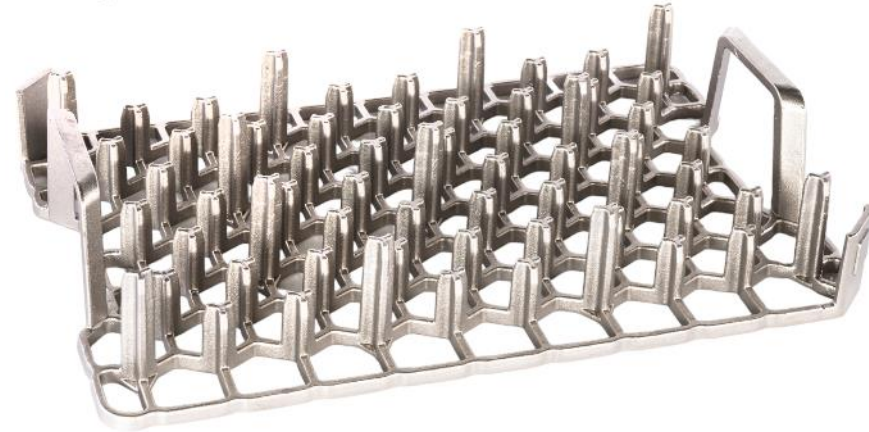
www.wuxicastfoundry.com

Hardening Industry



www.wuxicastfoundry.com

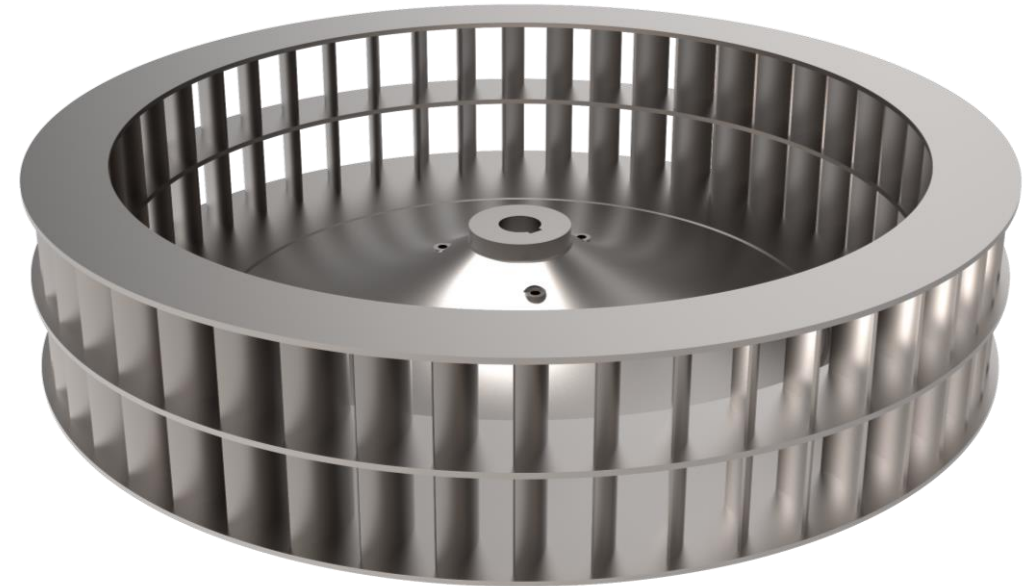
Hardening Industry



Hardening Industry

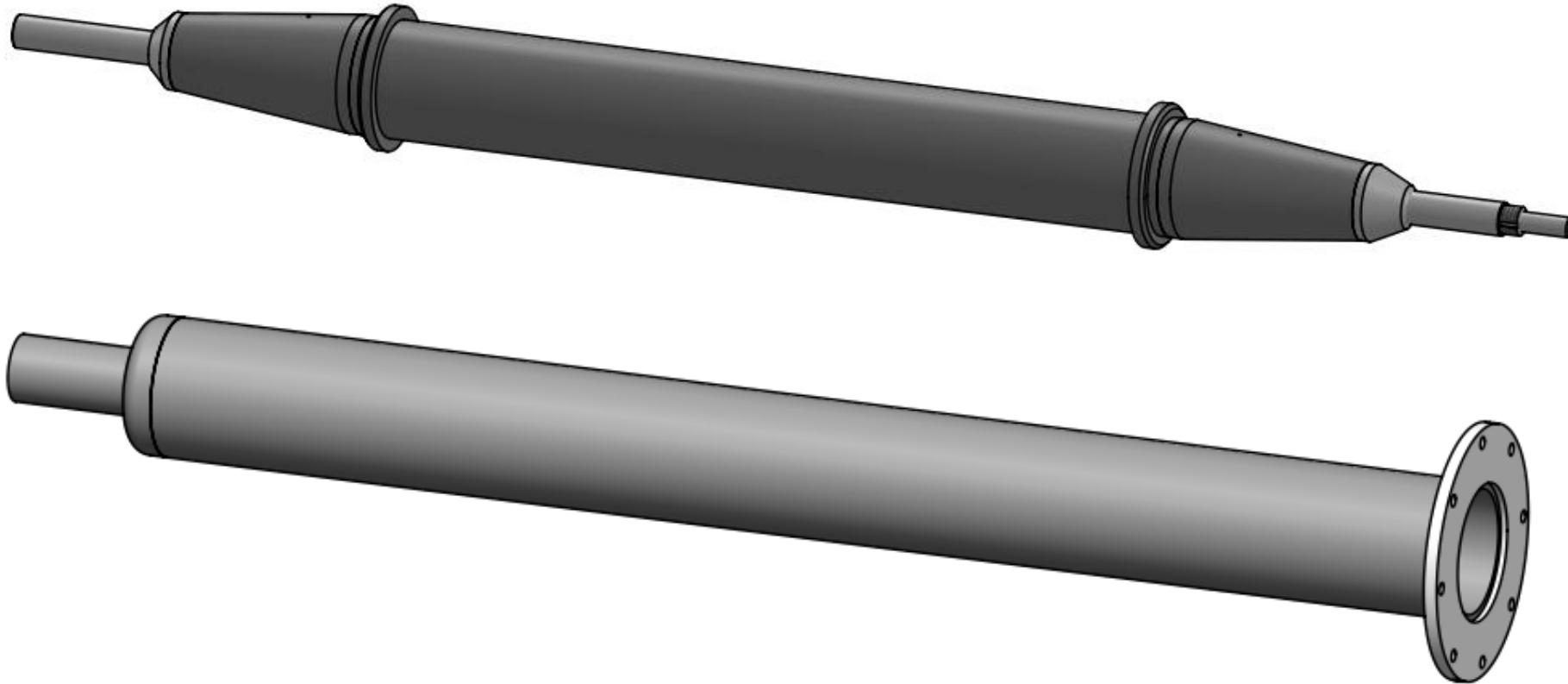


Industrial Furnace Construction

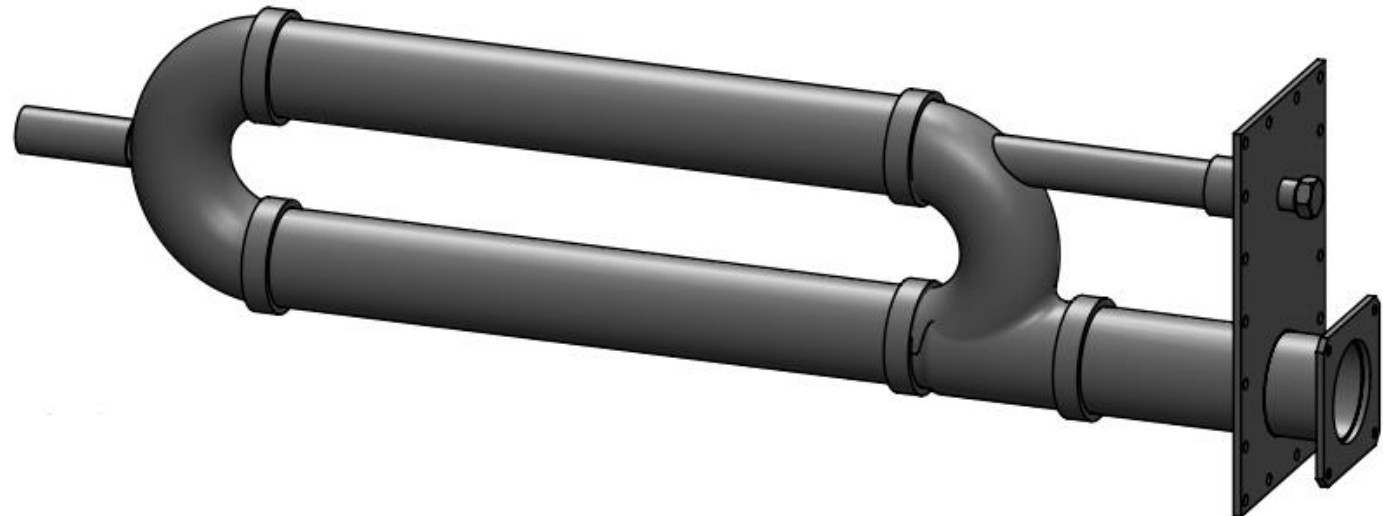
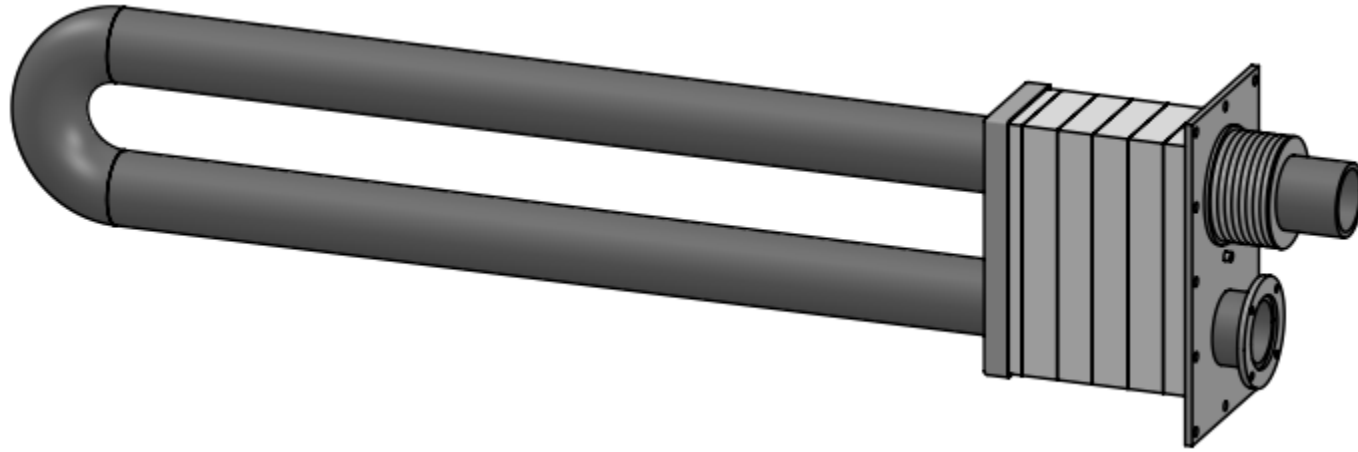


www.wuxicastfoundry.com

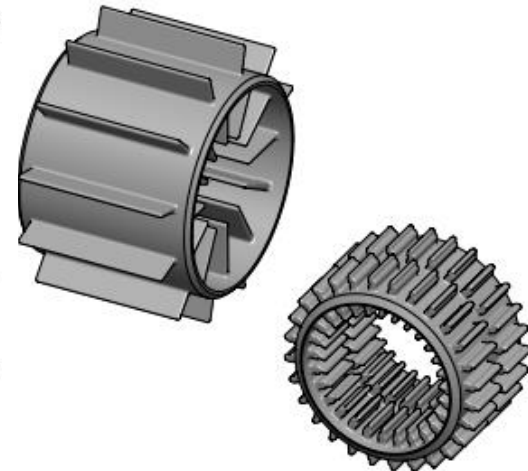
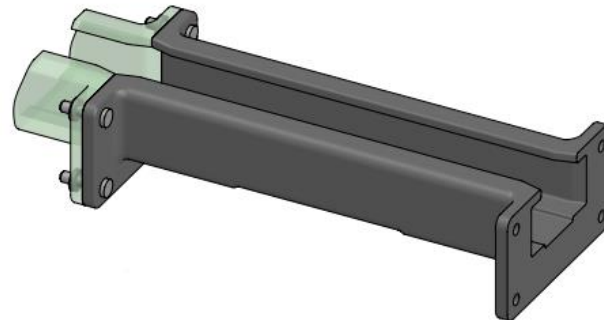
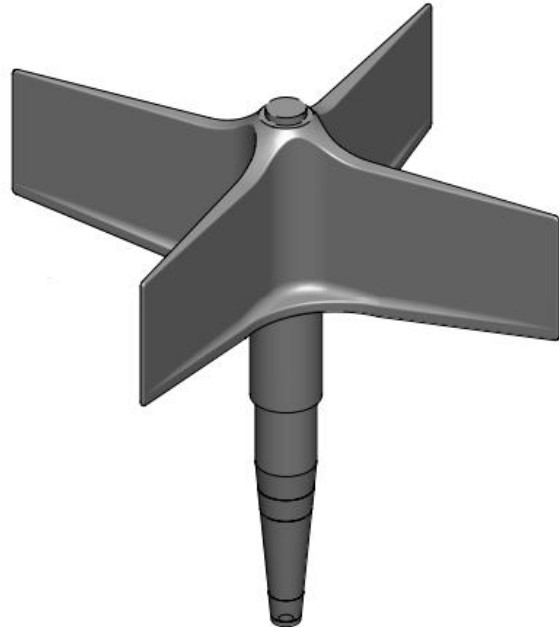
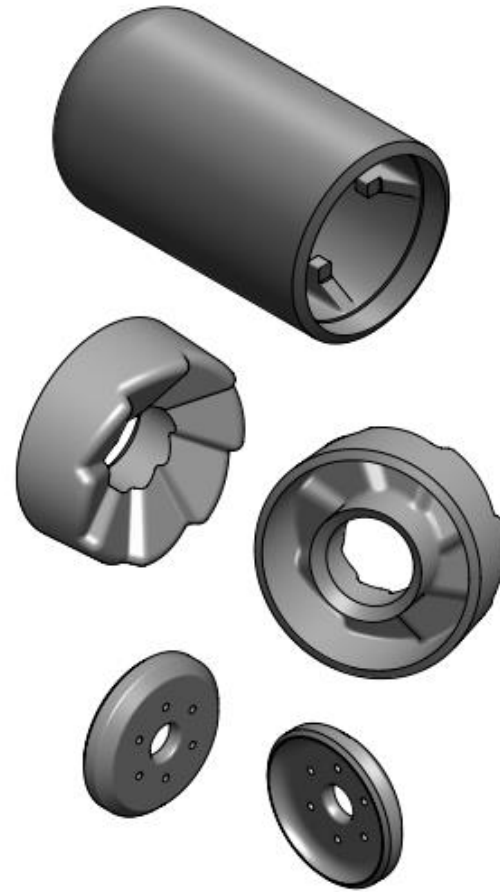
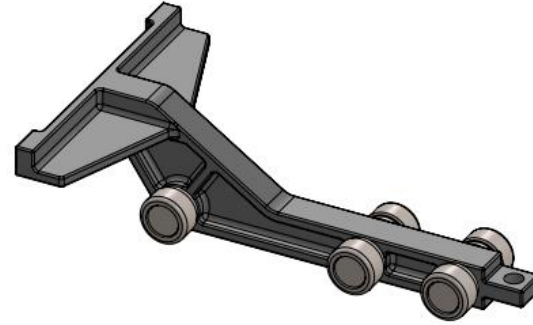
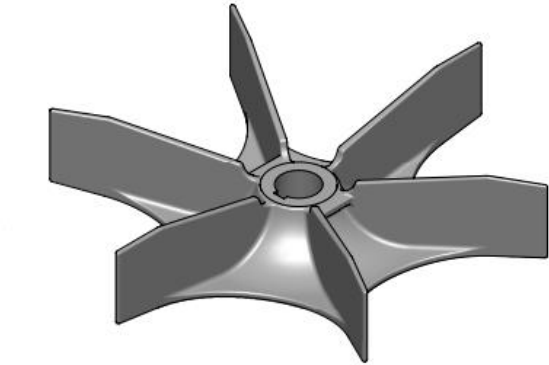
Industrial Furnace Construction



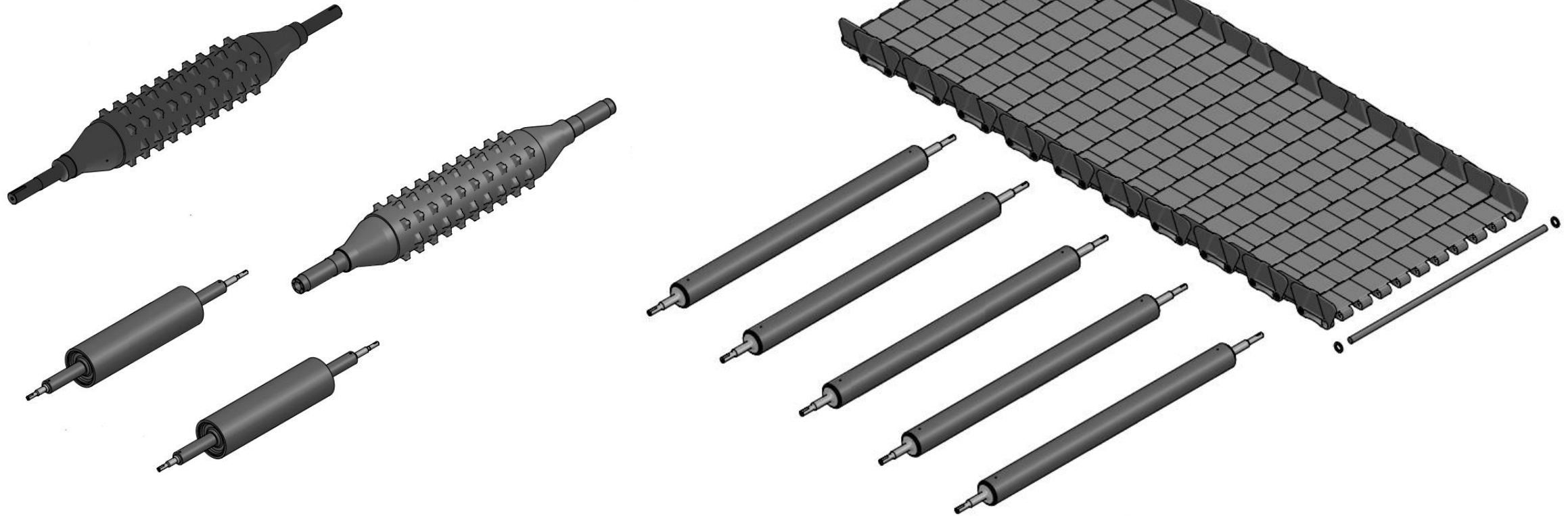
Industrial Furnace Construction



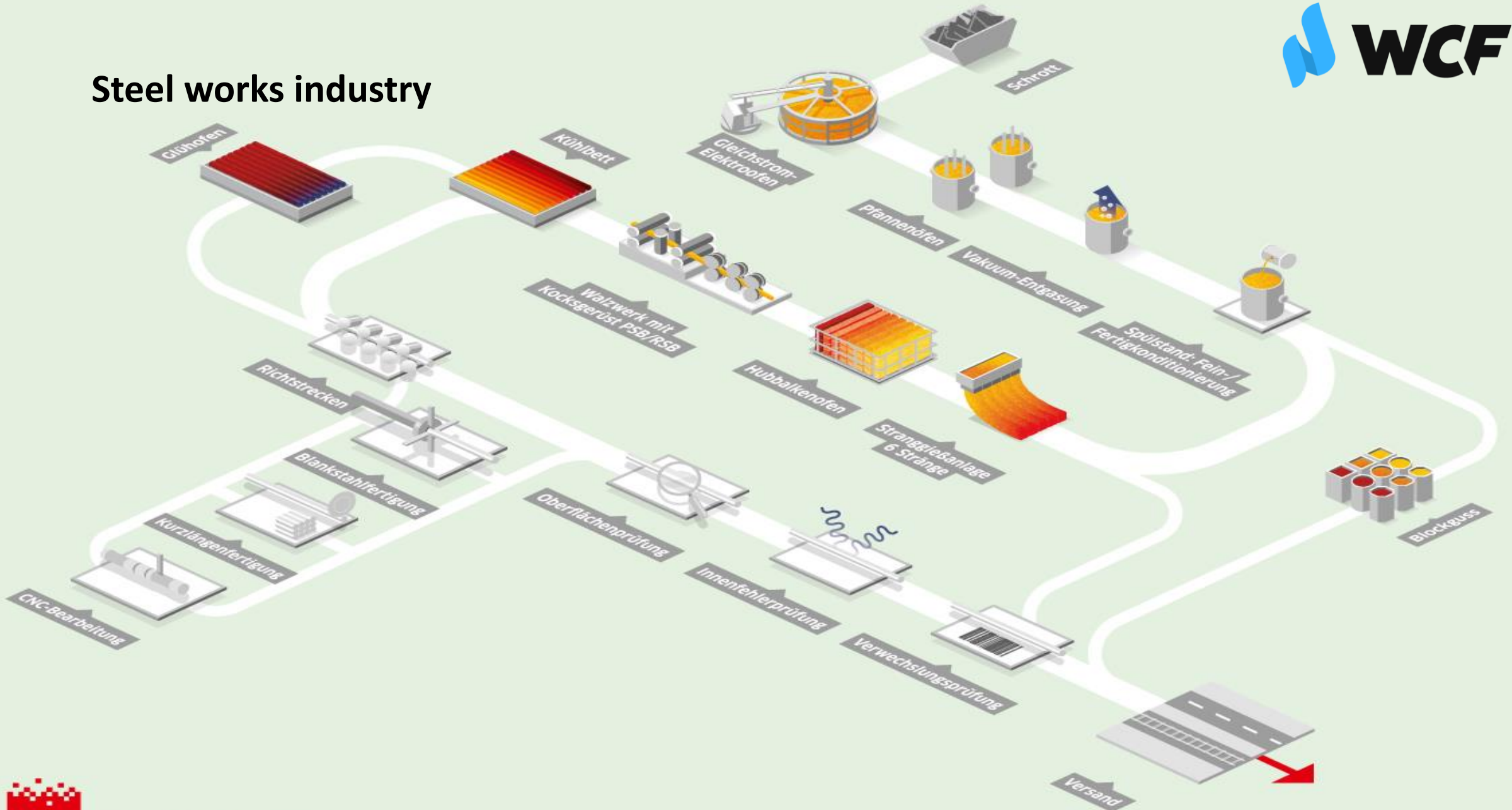
Industrial Furnace Construction



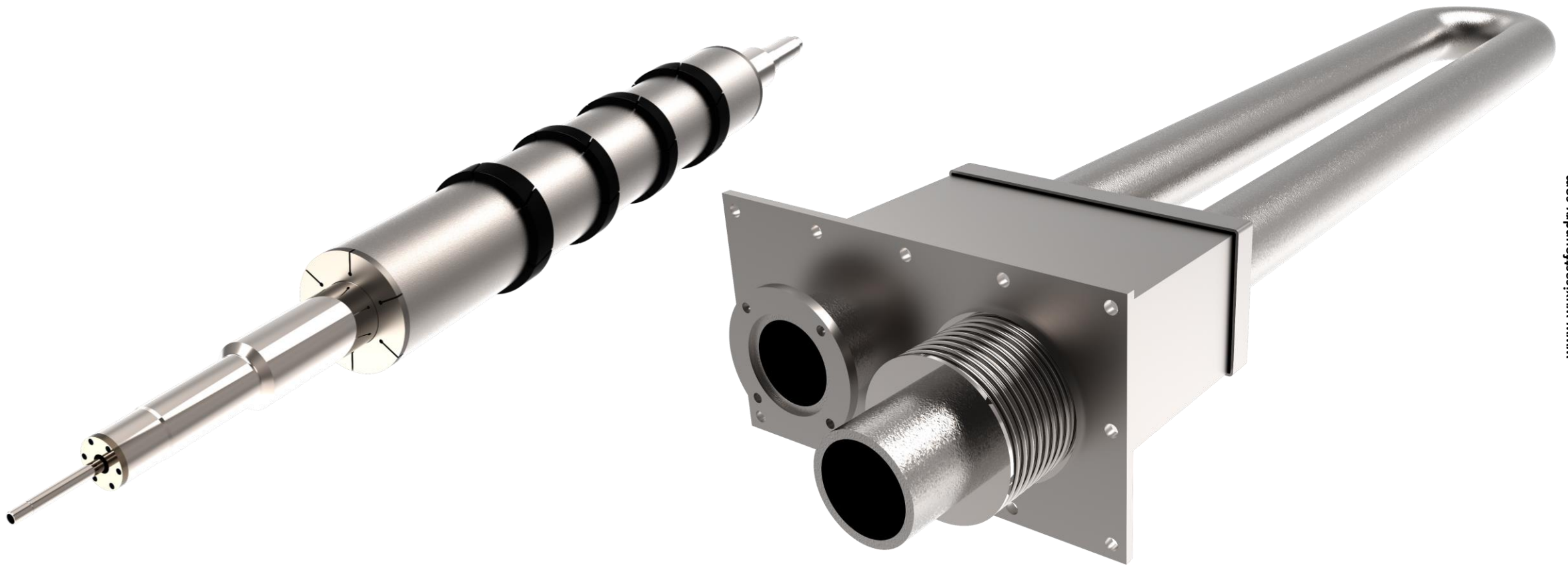
Industrial Furnace Construction



Steel works industry



Steel works industry

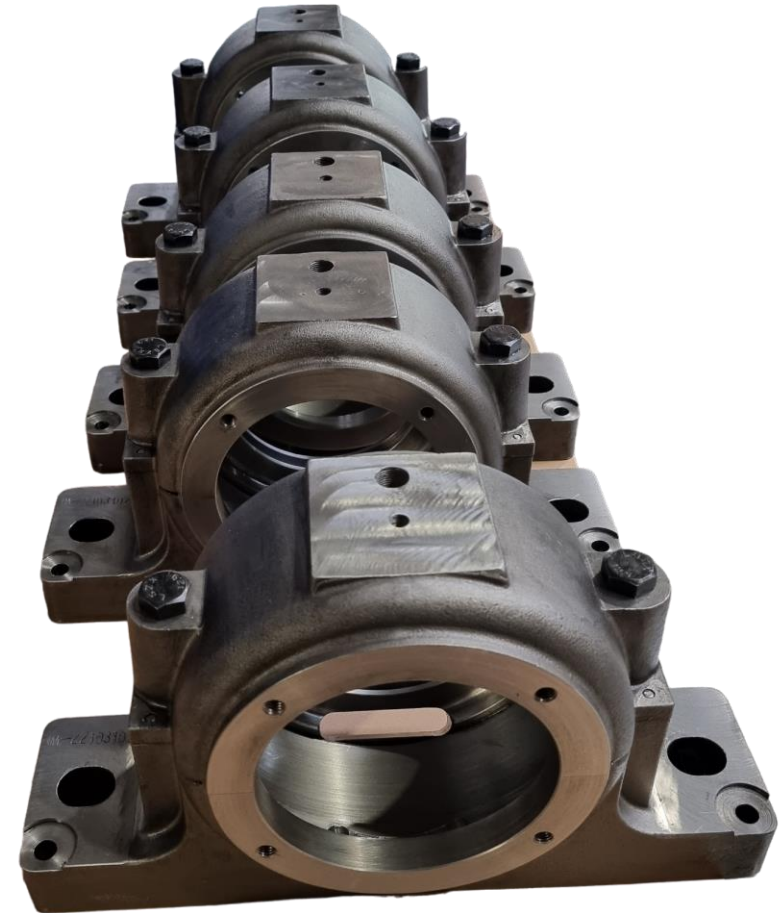


Steel works industry

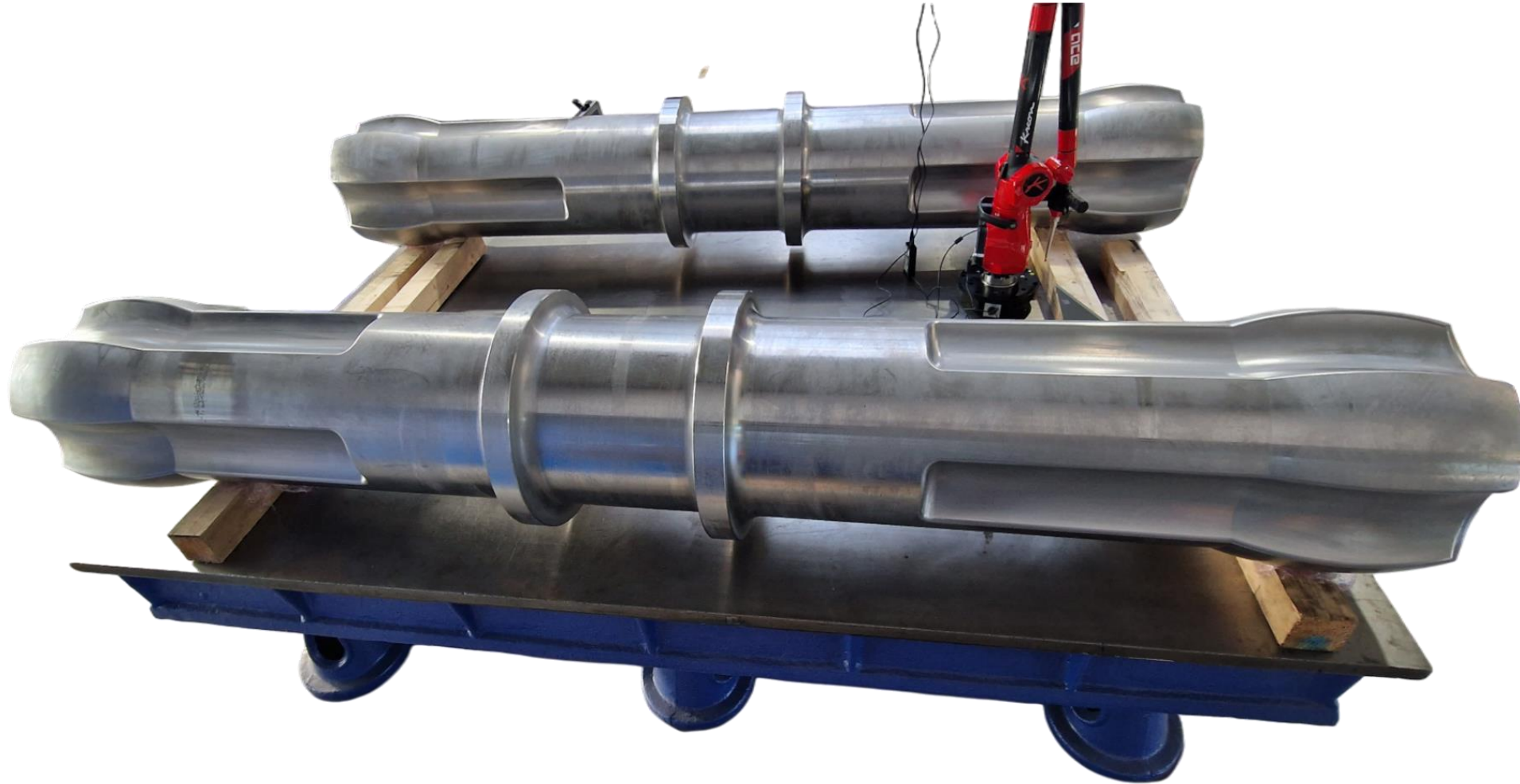


www.wuxicastfoundry.com

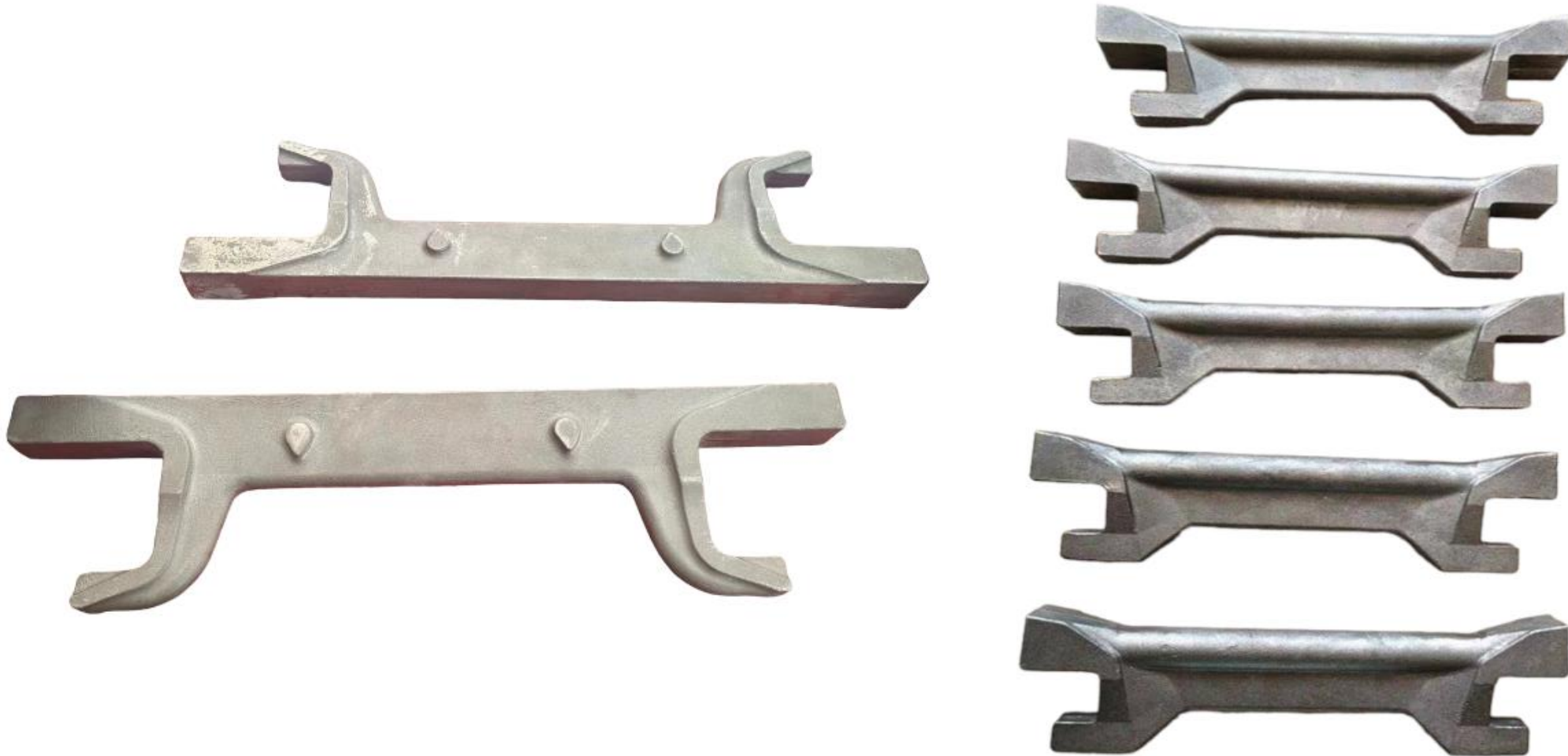
Steel works industry



Steel works industry



Steel works industry



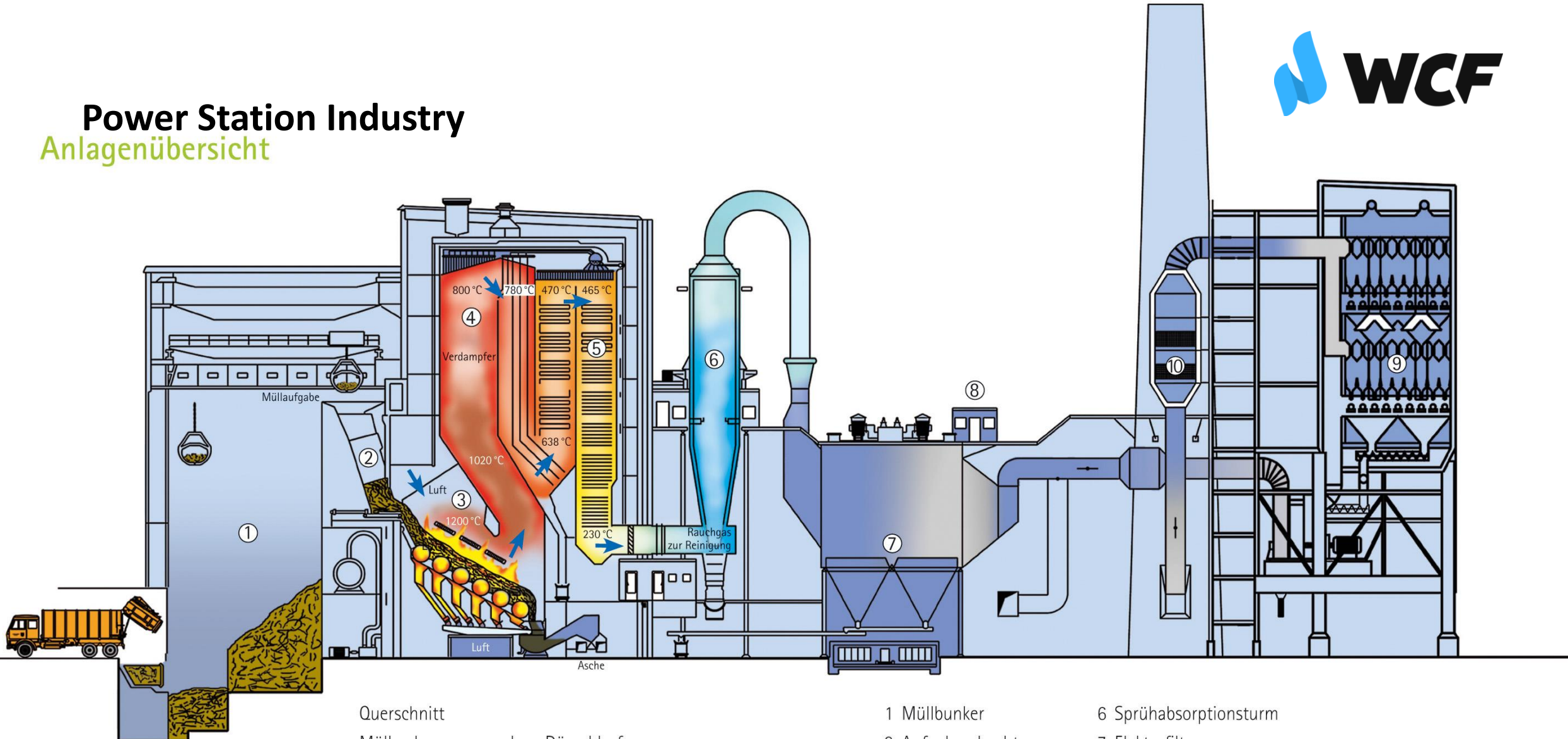
Steel works industry



www.wuxicastfoundry.com

Power Station Industry

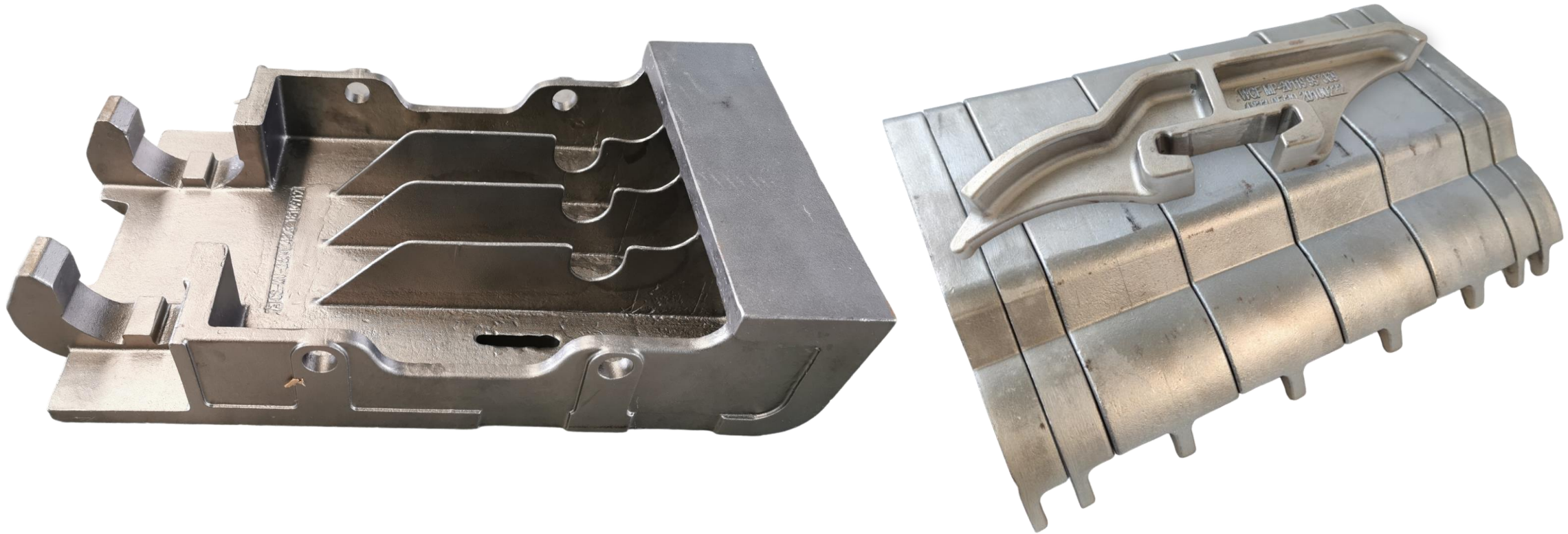
Anlagenübersicht



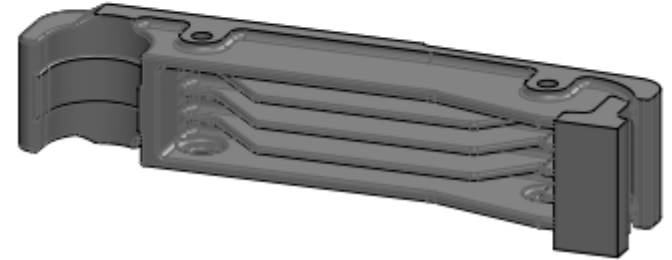
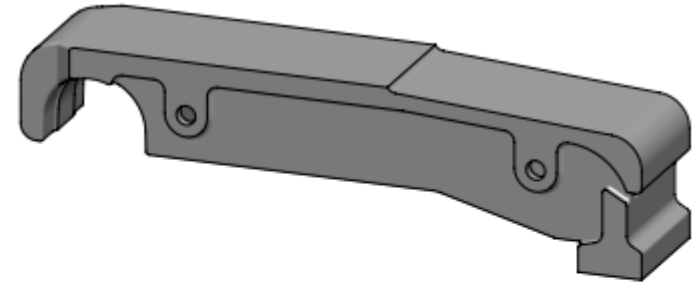
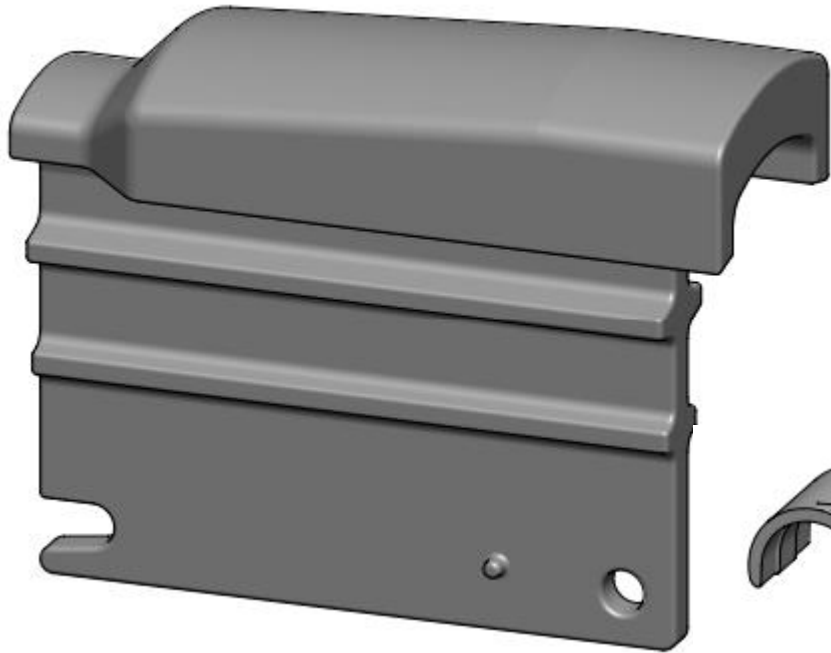
Querschnitt
Müllverbrennungsanlage Düsseldorf

- | | |
|----------------------|------------------------|
| 1 Müllbunker | 6 Sprühabsorptionsturm |
| 2 Aufgabeschacht | 7 Elektrofilter |
| 3 Walzenrostfeuerung | 8 Emissionsmesshaus |
| 4 Steilrohrkessel | 9 Koksfilter |
| 5 Rohrbündel | 10 Katalysator |

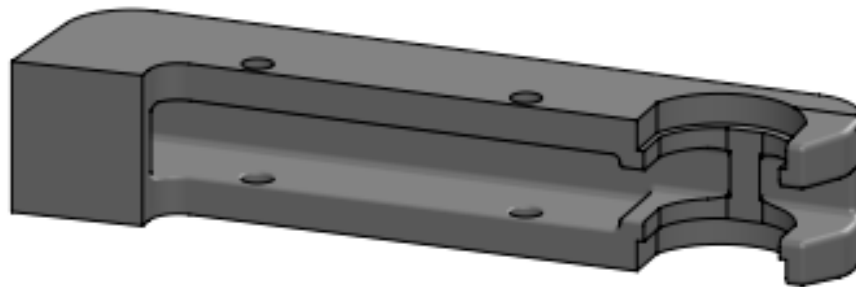
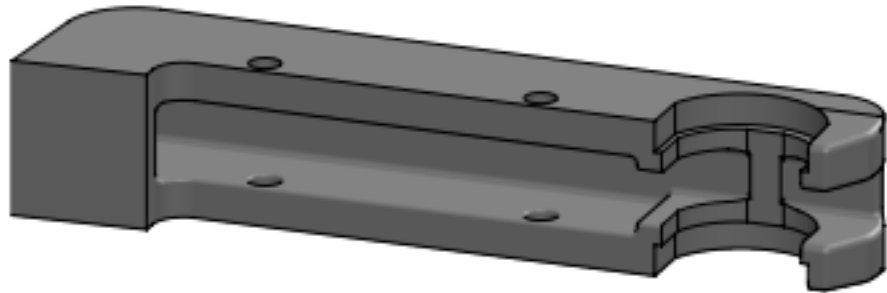
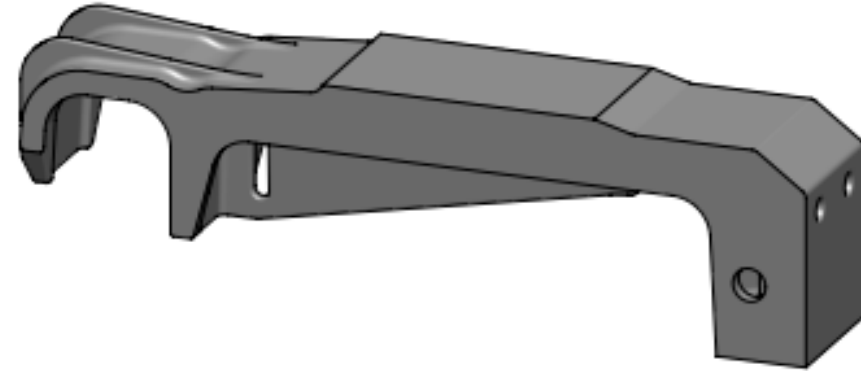
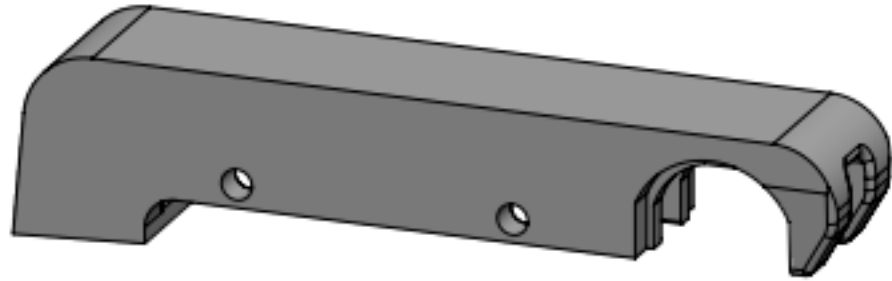
Power Station Industry



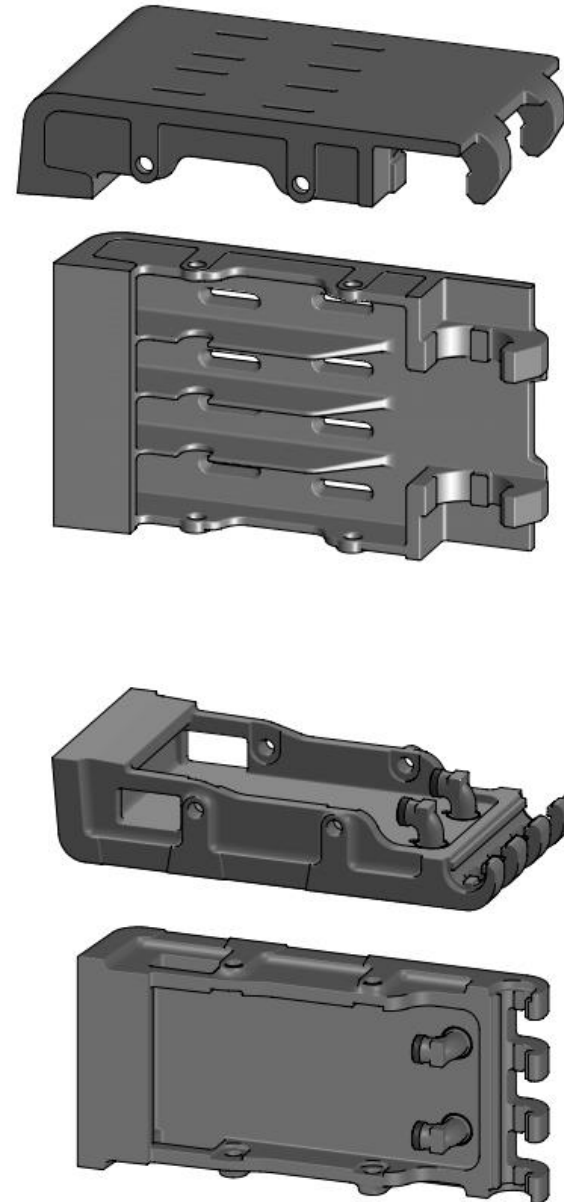
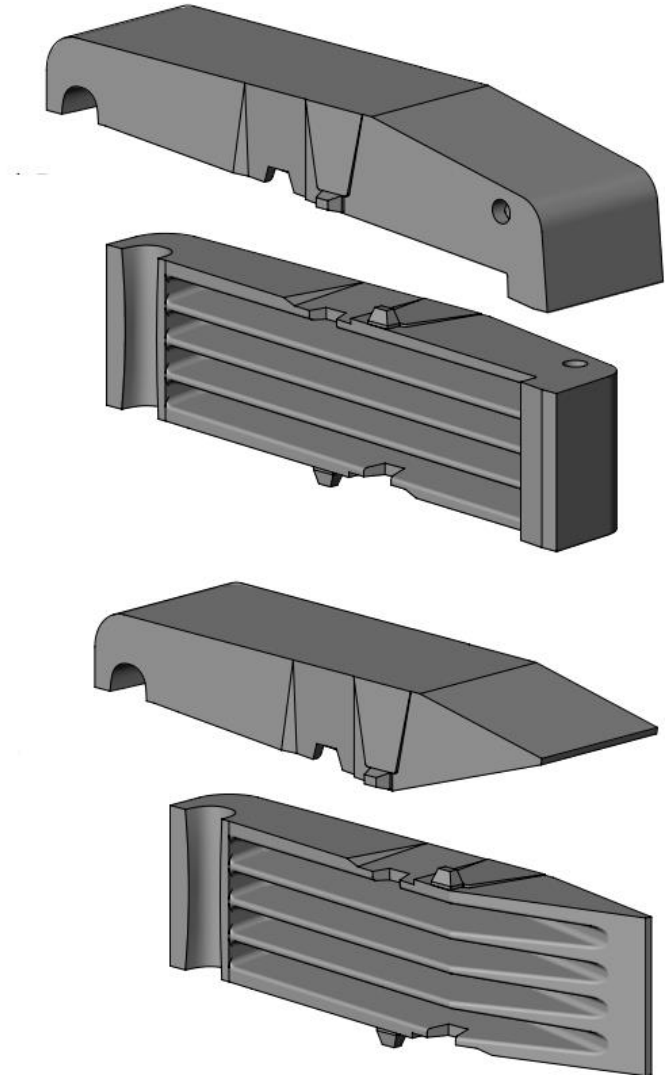
Power Station Industry



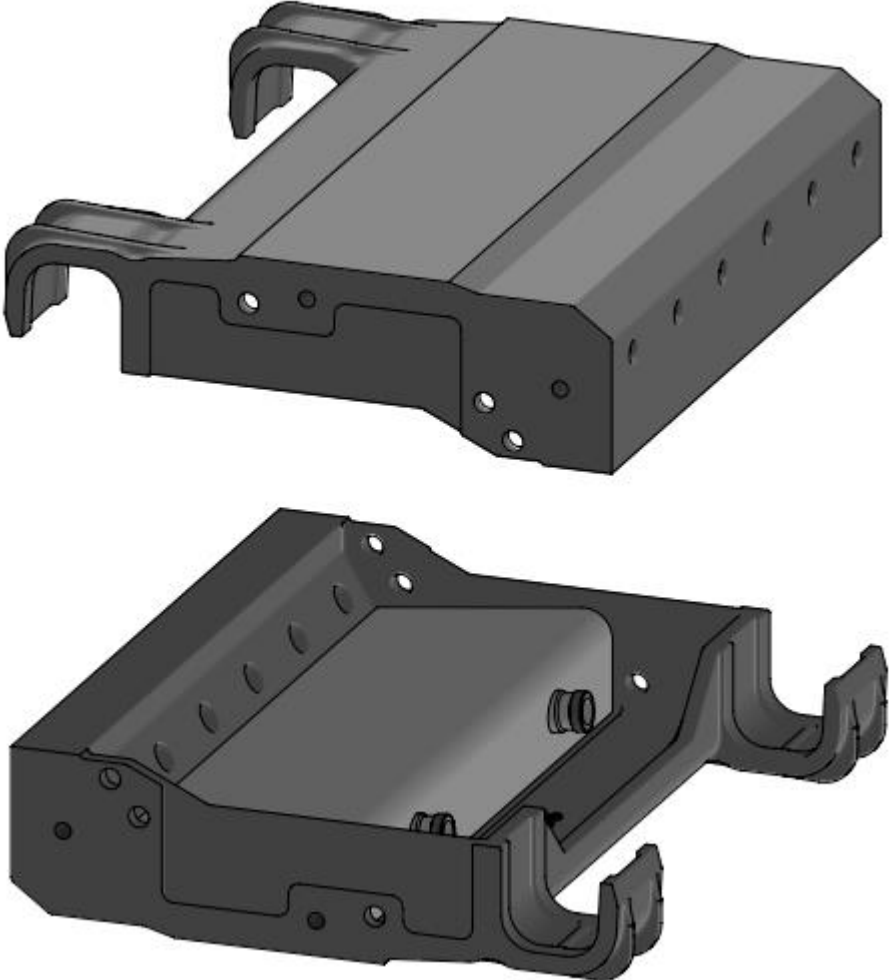
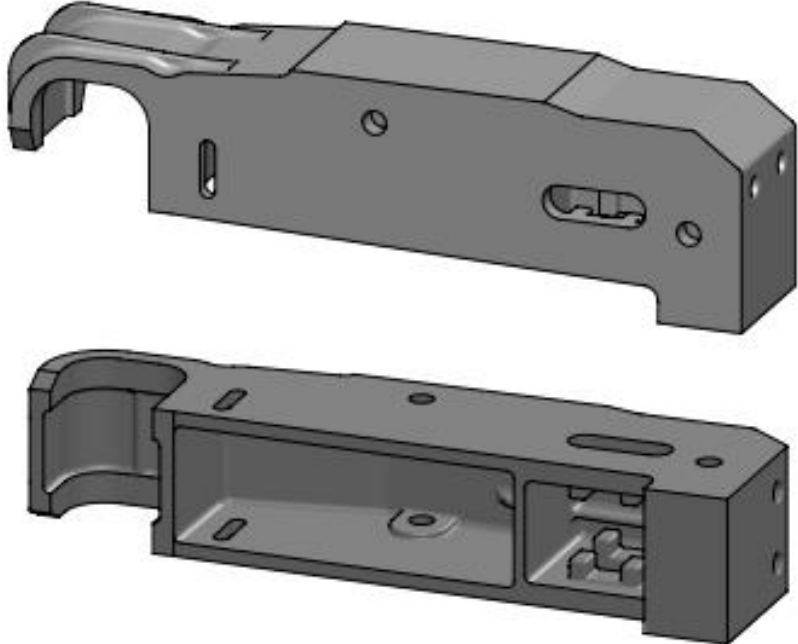
Power Station Industry



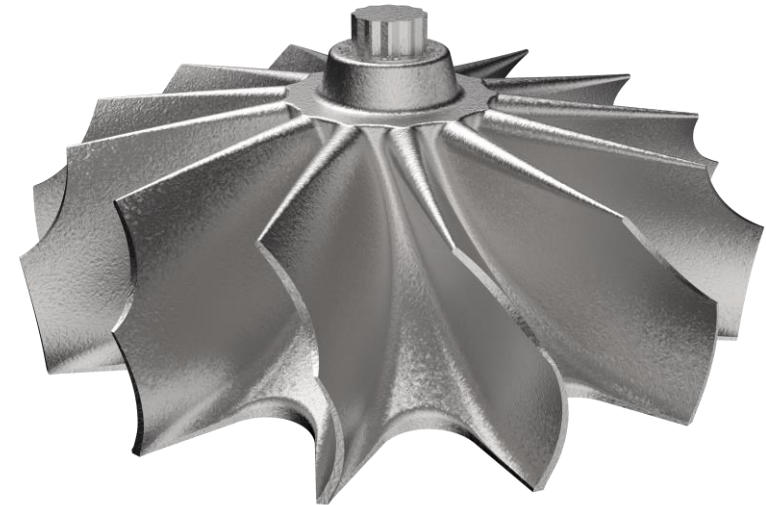
Power Station Industry



Power Station Industry



Mechanical and Plant Engineering



www.wuxicastfoundry.com

Mechanical and Plant Engineering



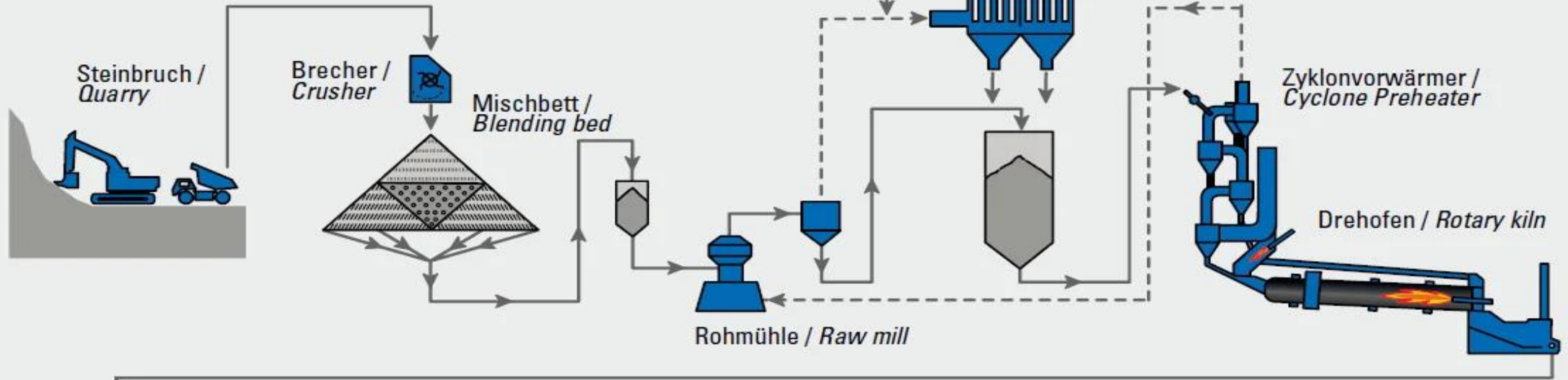
Rohstoffe / Raw material

Rohmehl / Raw meal

Gewinnen und Brechen / Homogenisieren und Lagern /
Quarrying and Crushing Homogenization and Storage

Trocknen und Mahlen /
Drying and Grinding

Brennen /
Burning



Klinker / Clinker

Lagern und Homogenisieren /
Storage and Homogenization

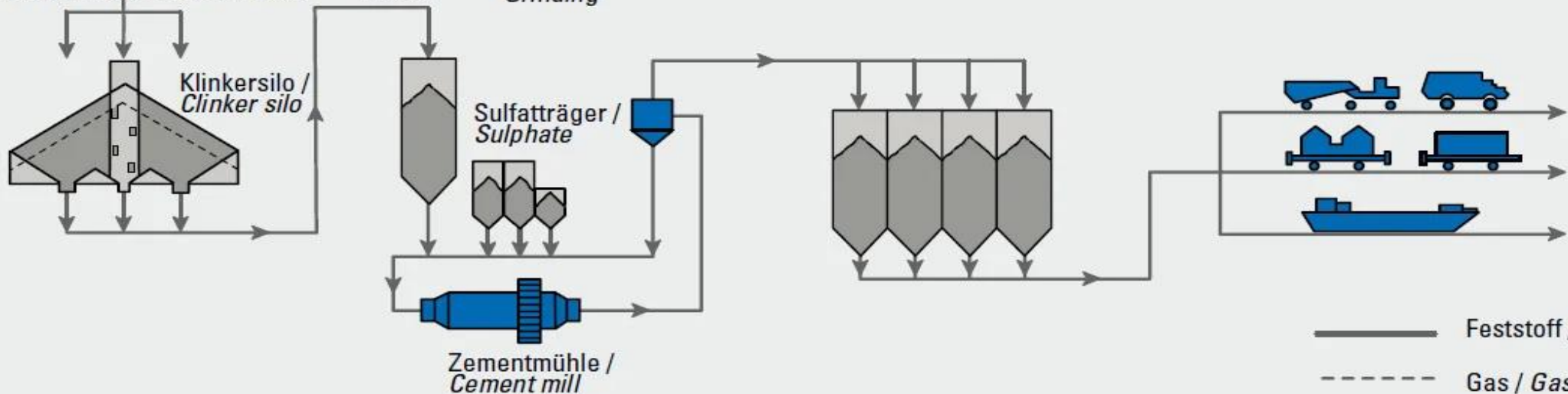
Klinker /
Clinker

Mahlen /
Grinding

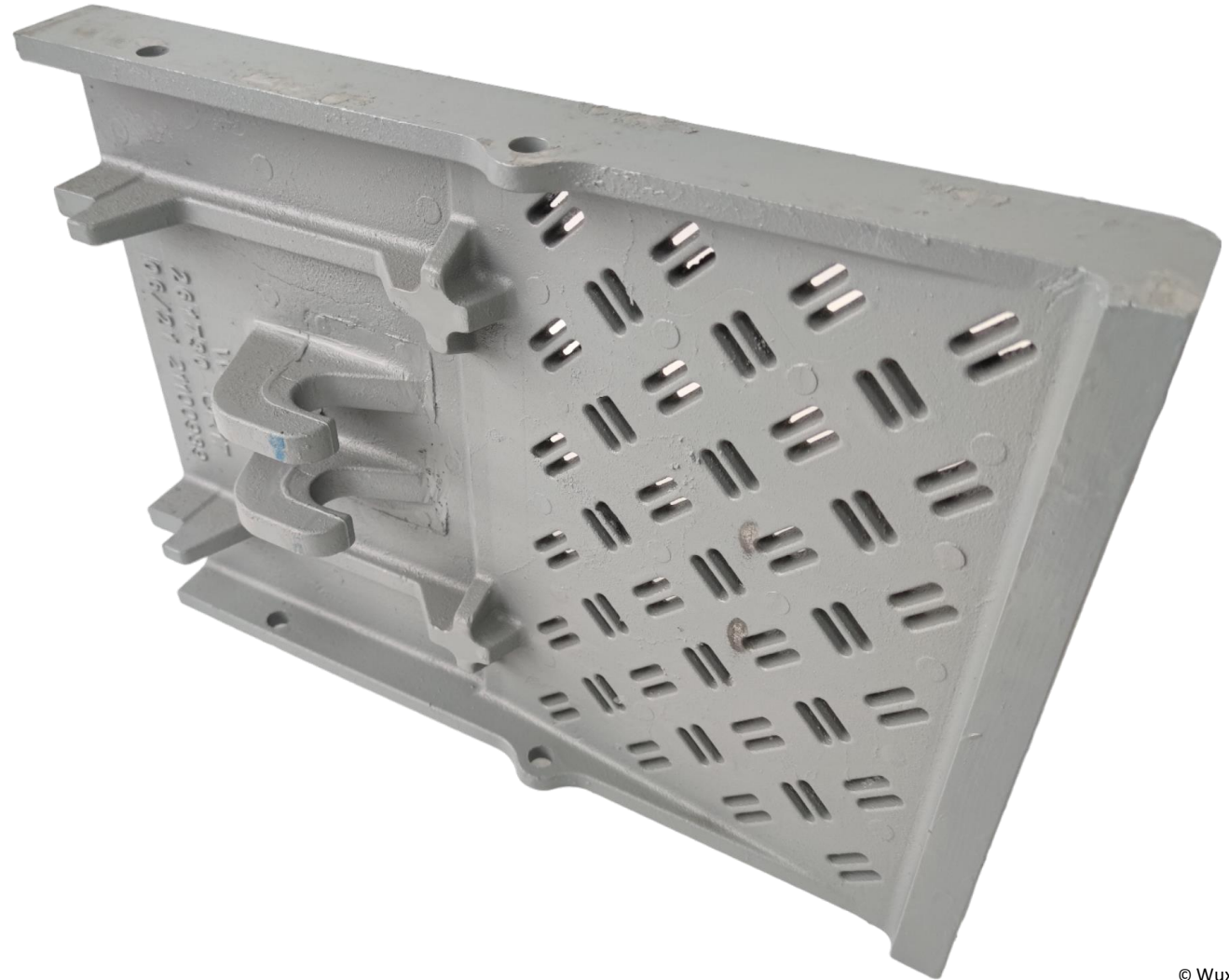
Zement / Cement

Lagern / Storage

Verladen / Loading



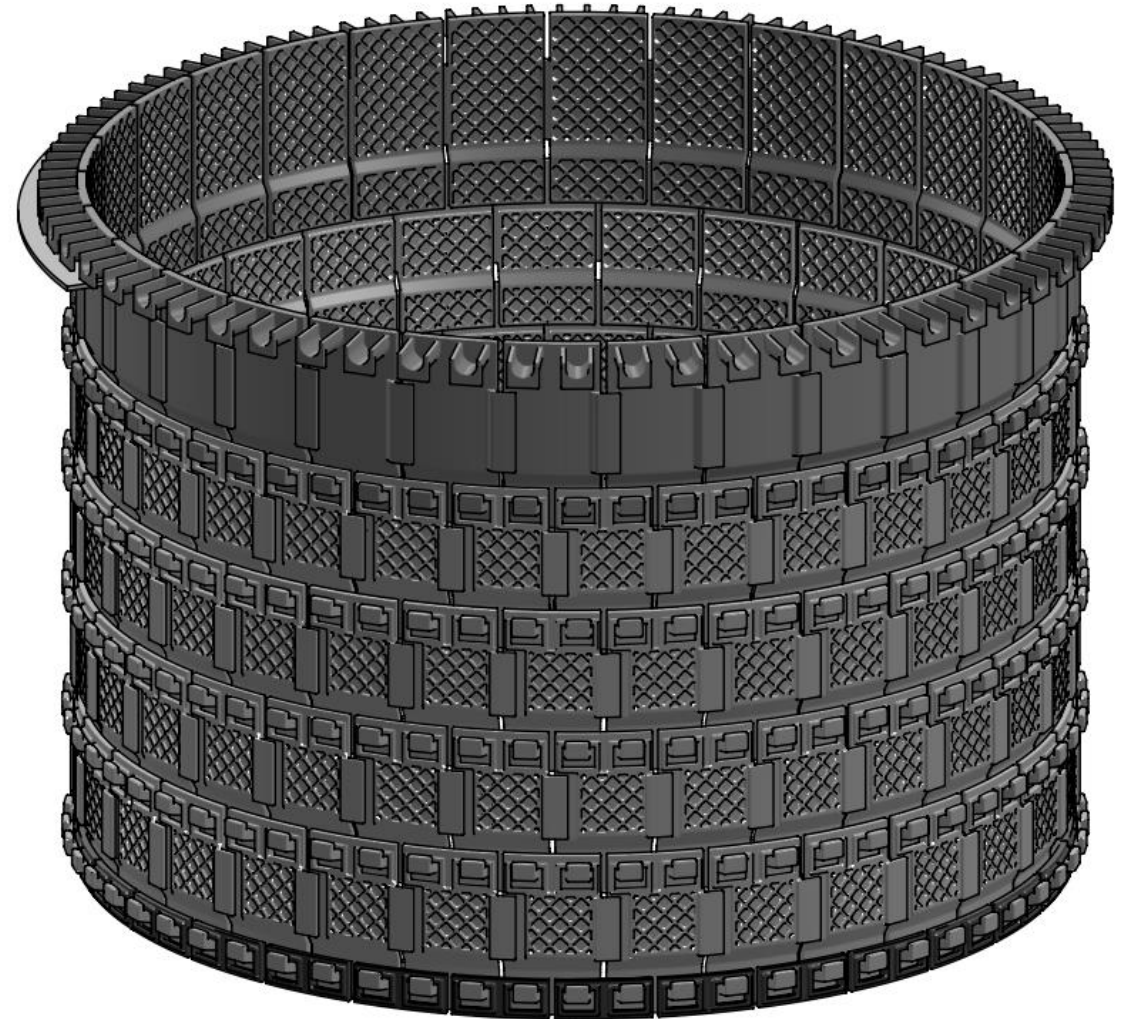
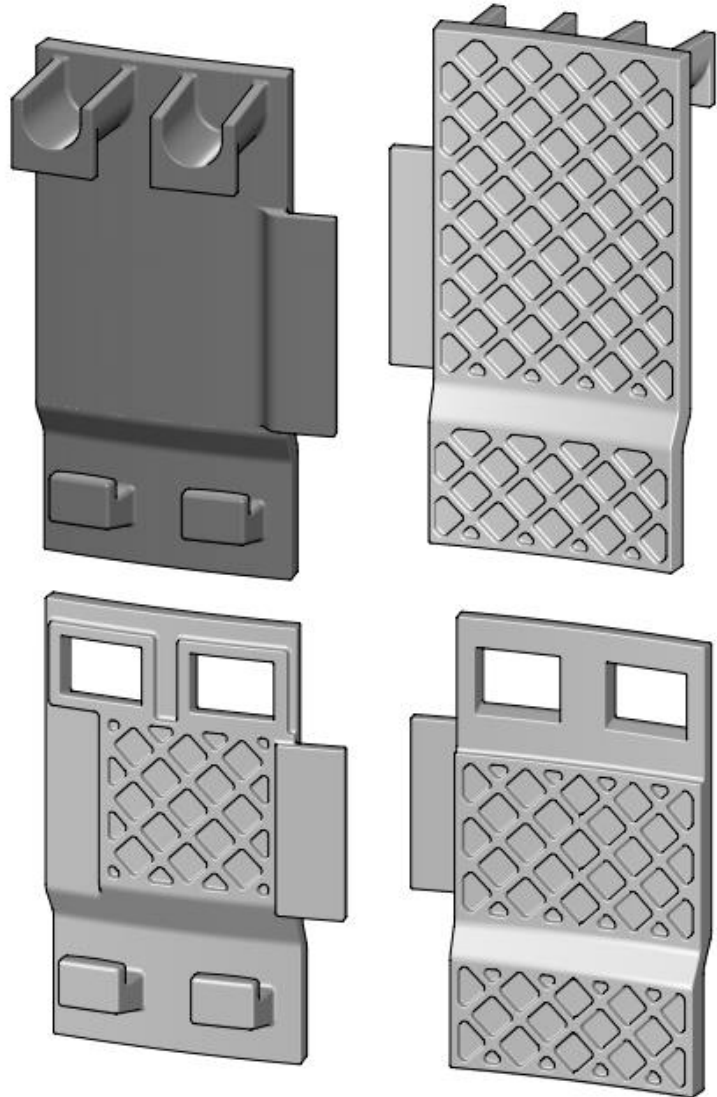
Cement Industry



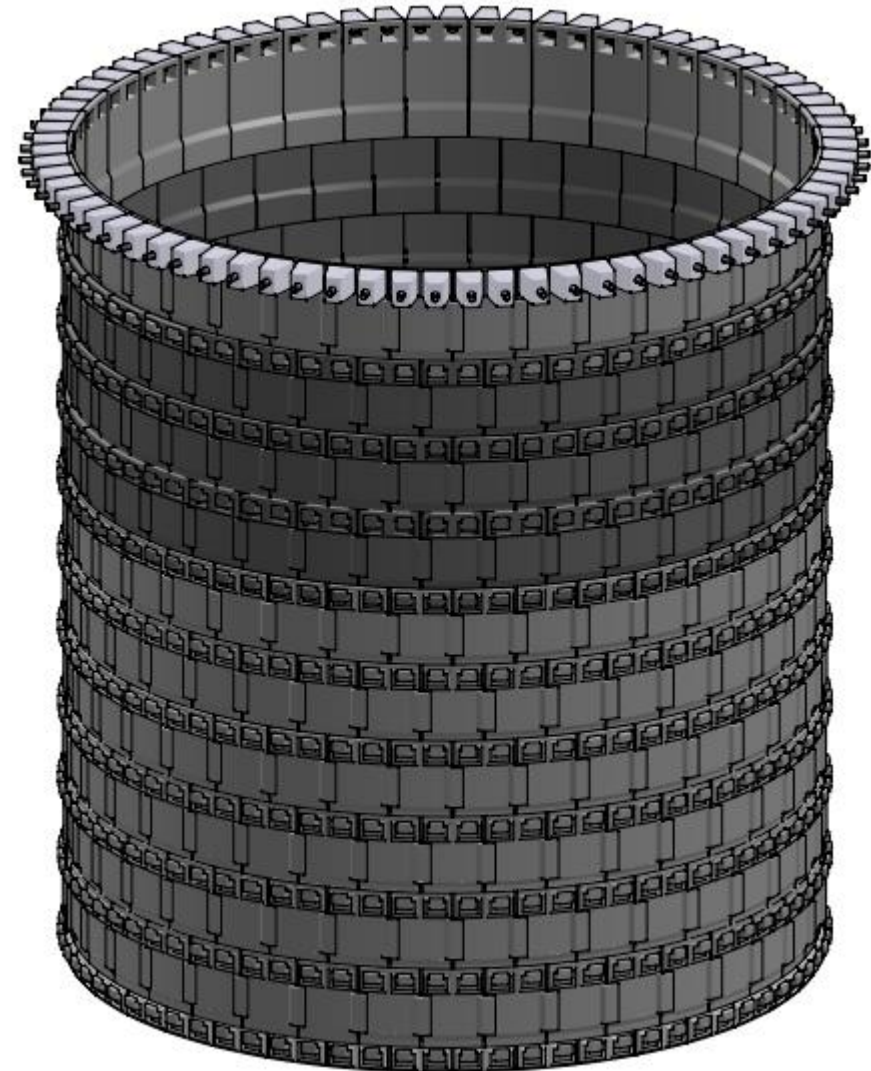
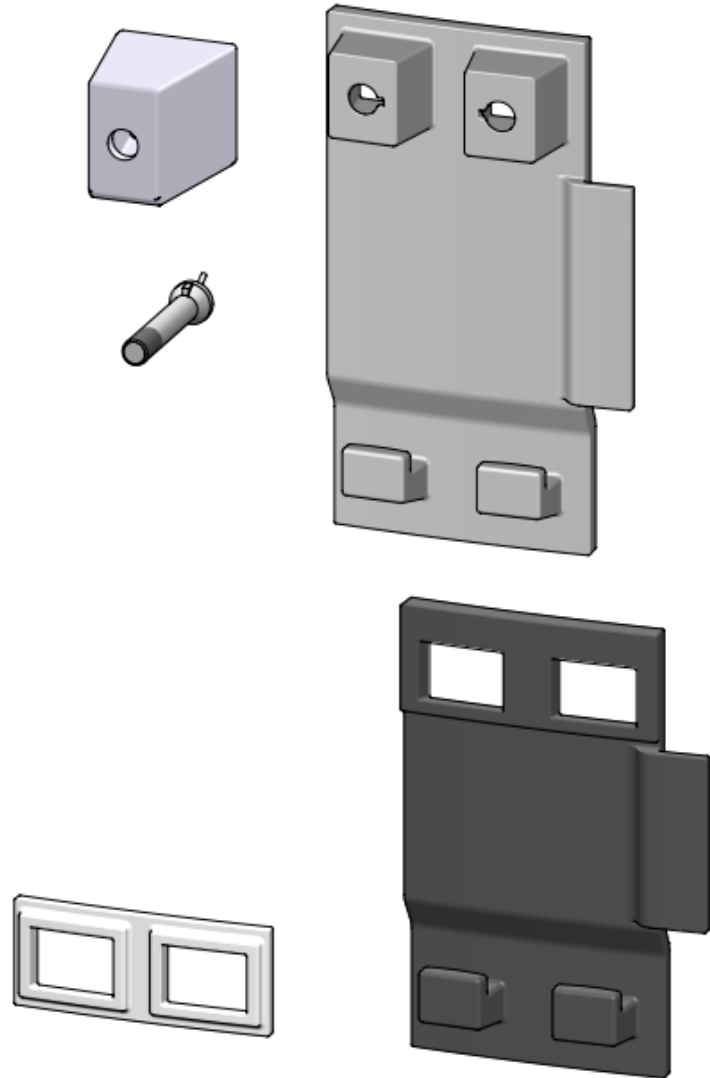
Cement Industry



Cement Industry

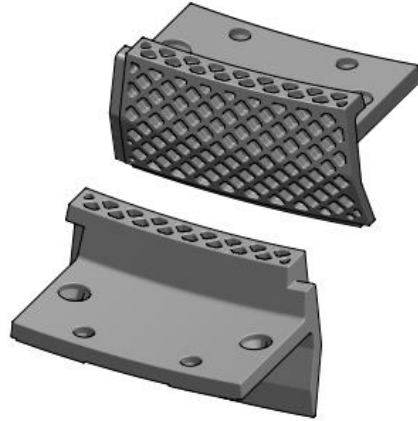


Cement Industry

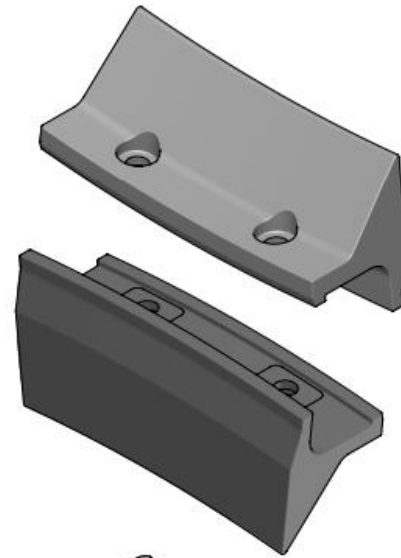


Cement Industry

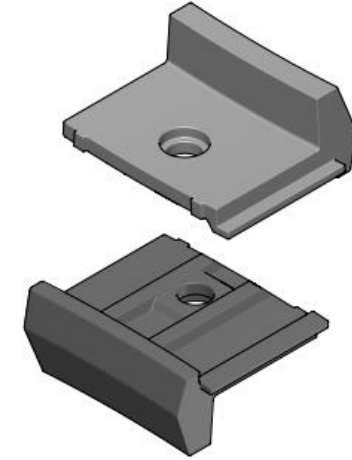
Auslaufsegment



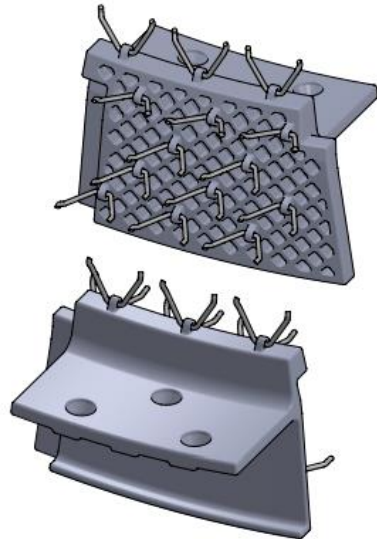
Auslaufsegment innen



Auslaufsegment innen



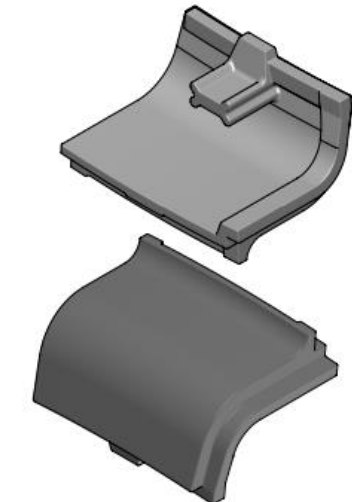
Auslaufsegment mit Anker



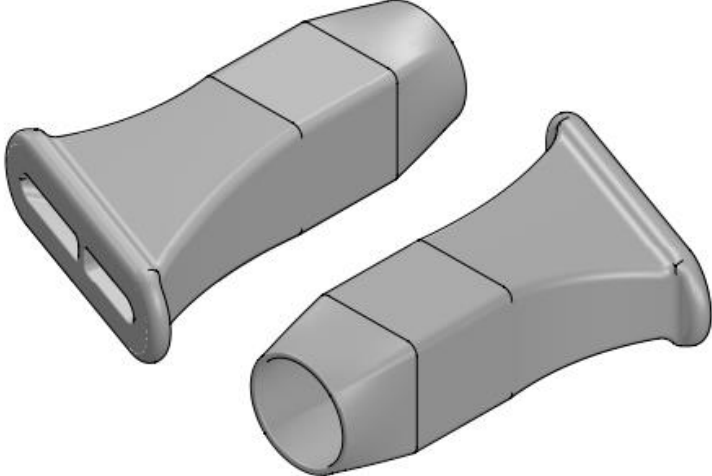
Auslaufsegment aussen



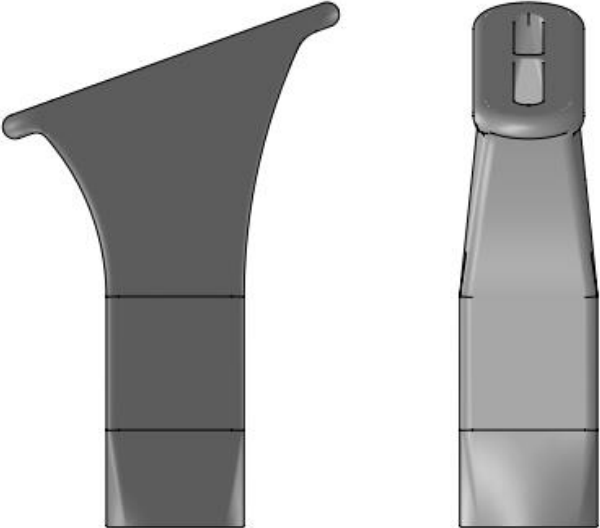
Auslaufsegment aussen



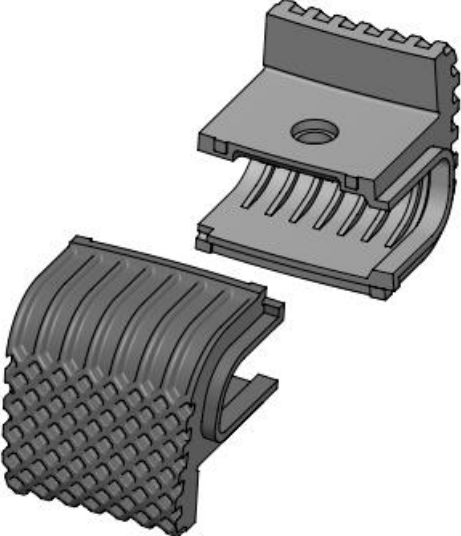
Cement Industry



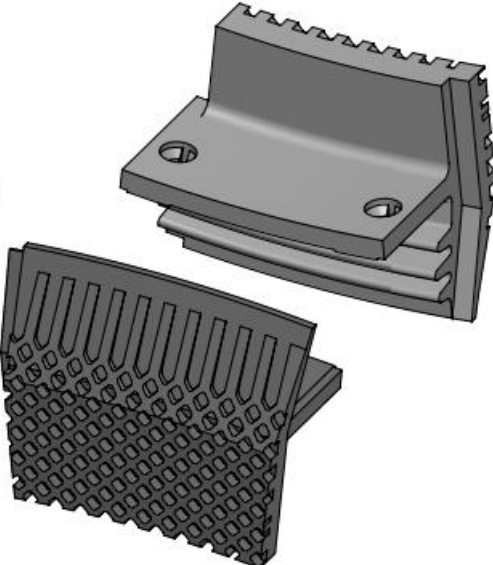
Ausblasdüse
20°



Auslaufsegment
Ø5200



Auslaufsegment
innen



Quality Departement WCF

- VT visual inspection
- PT dye penetrant testing
- MT magnetic particle testing
- UT ultrasonic testing
- RT X-ray examination*
- Pressure testing of
- Checking dimensional accuracy manually and with a 7D measuring arm
- Test installation situation with gauge
- Chemical analysis*
- Mechanical properties*

*extern

