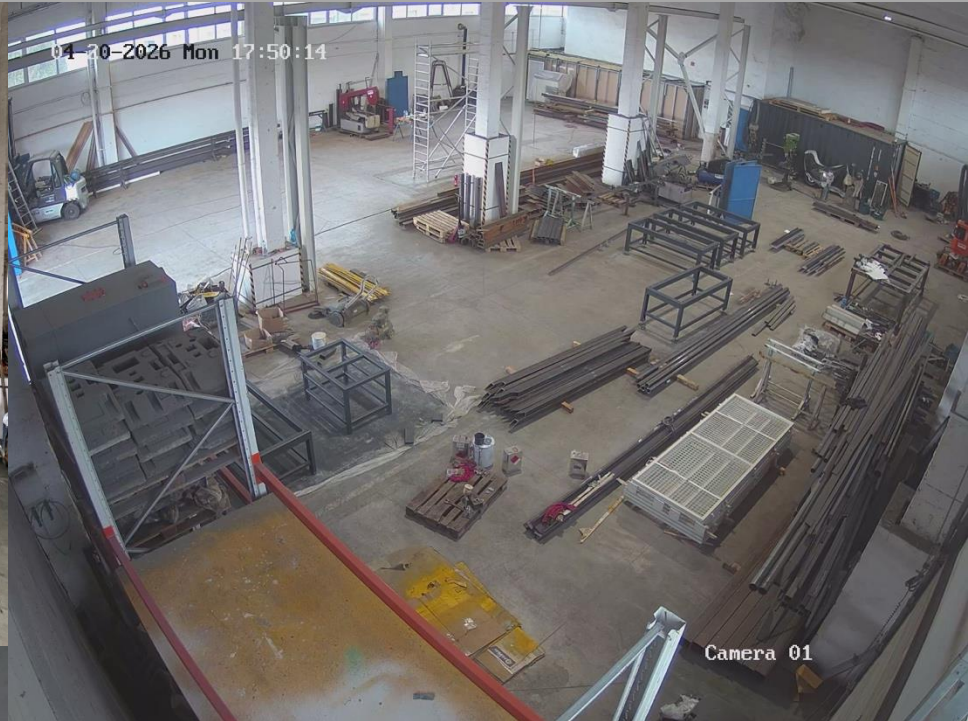
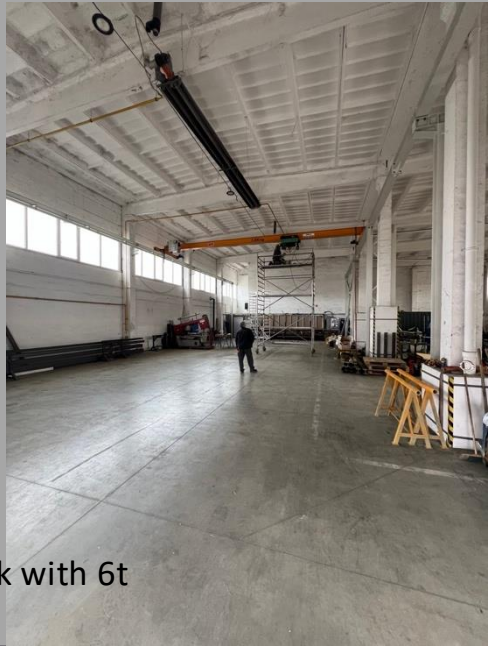


KONTECH

**DESIGN, PRODUCTION AND ASSEMBLY OF STEEL
STRUCTURES**

KONTECH - Subcontractor for steel structures and welded assemblies

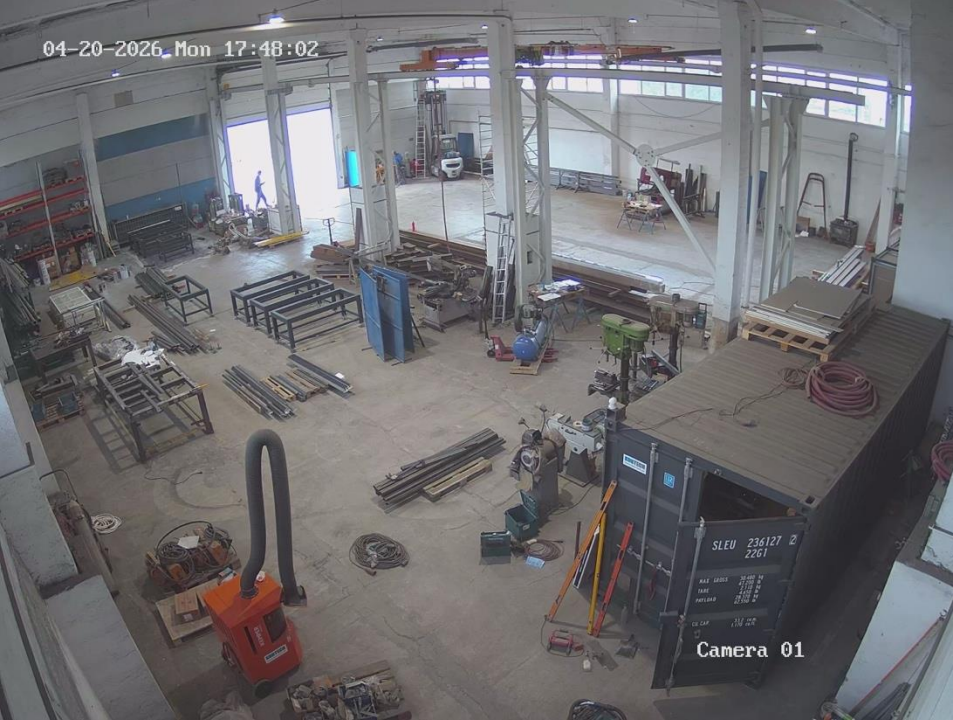


04-20-2026 Mon 17:50:14

Camera 01

Sawmill Bomar 610x440
Sawmill Bomar 275x230
Manual plasma Alfair 125A
Welding machines Lorch 500
Drill machines VS32

Bridge crane 3,2t
Forklift 3t
Maximum weight we can work with 6t

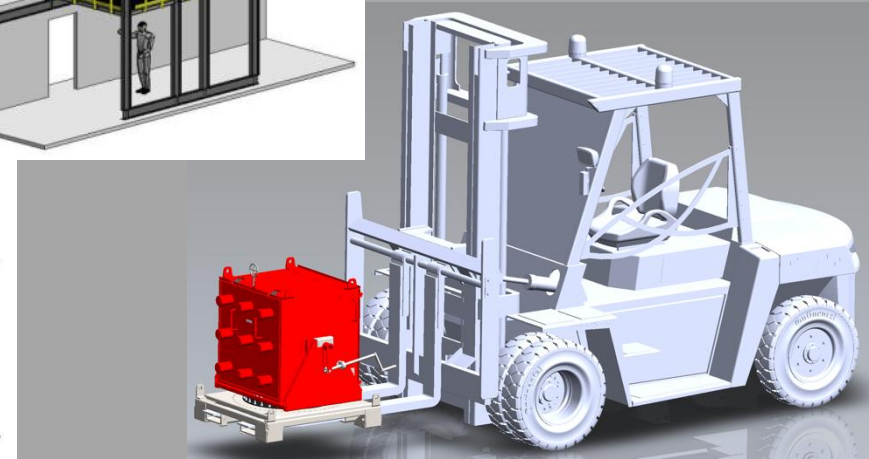
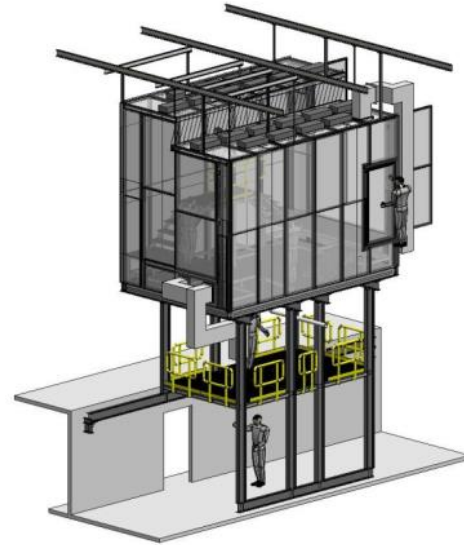
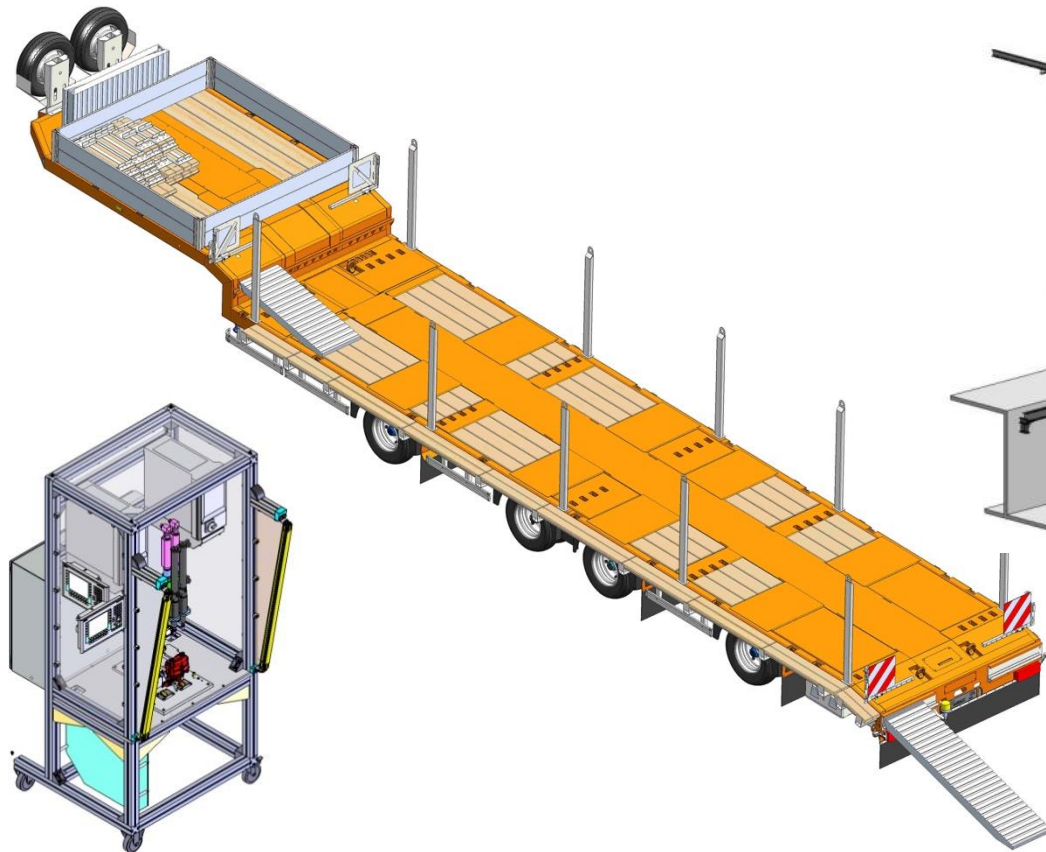
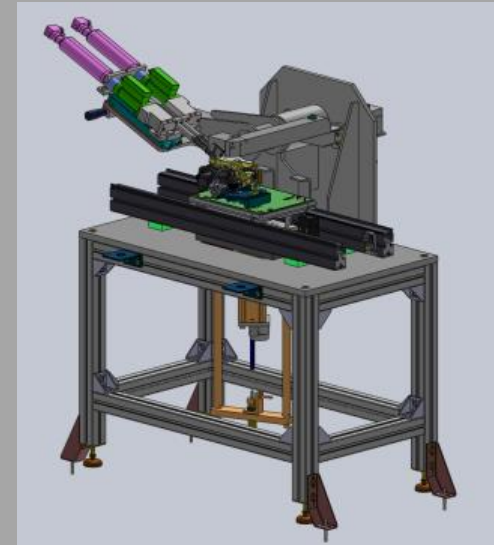
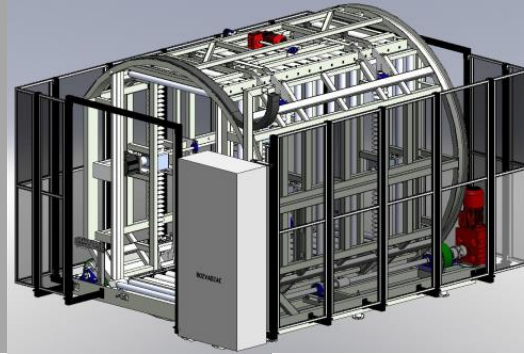
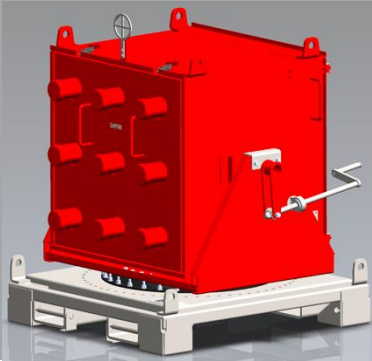
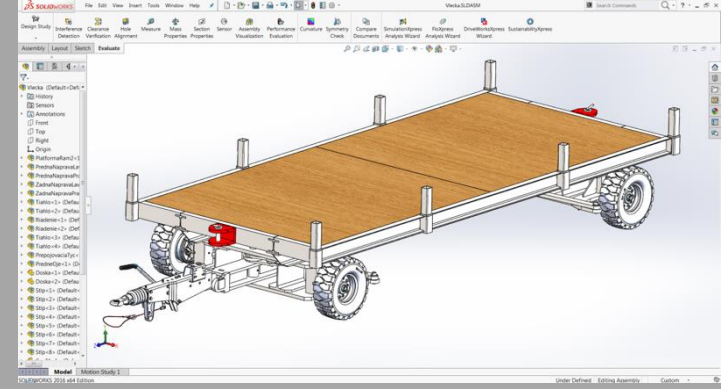


04-20-2026 Mon 17:48:02

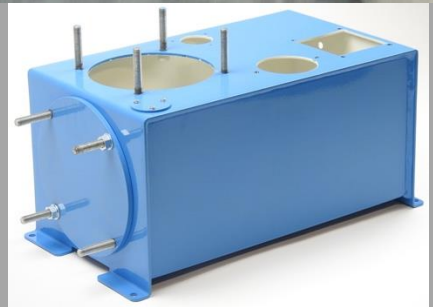
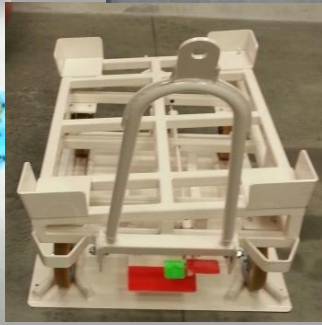
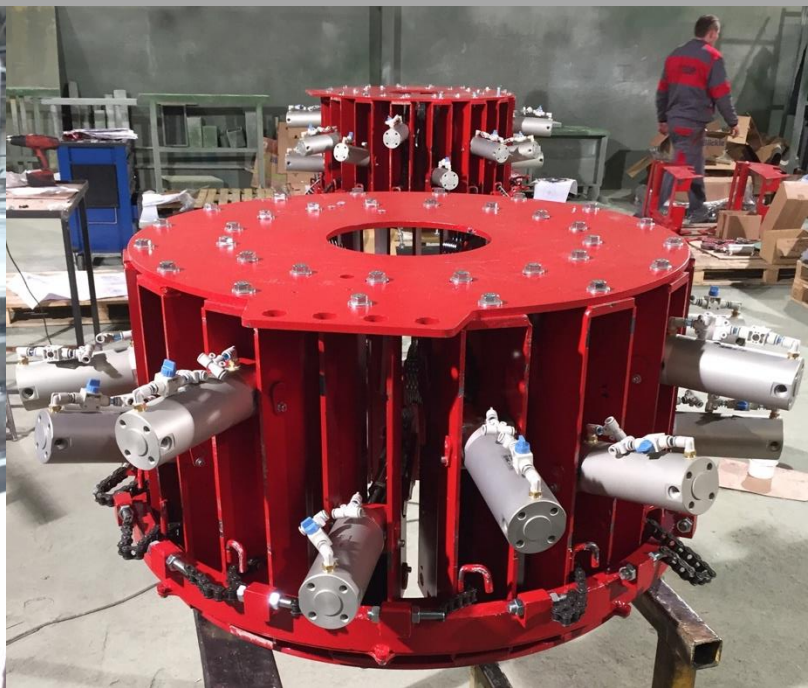
Camera 01



**Gallery of projections and drawing documentation:
SolidWorks**
is an integrated solution for 3D CAD modeling, creating
assemblies and mechanisms, complete drawing documentation.







Project for a Czech company BARUM
Weldments according to the supplied documentation
2019 year



Project for a Slovak company,
Weldments according to the supplied documentation
2012 year



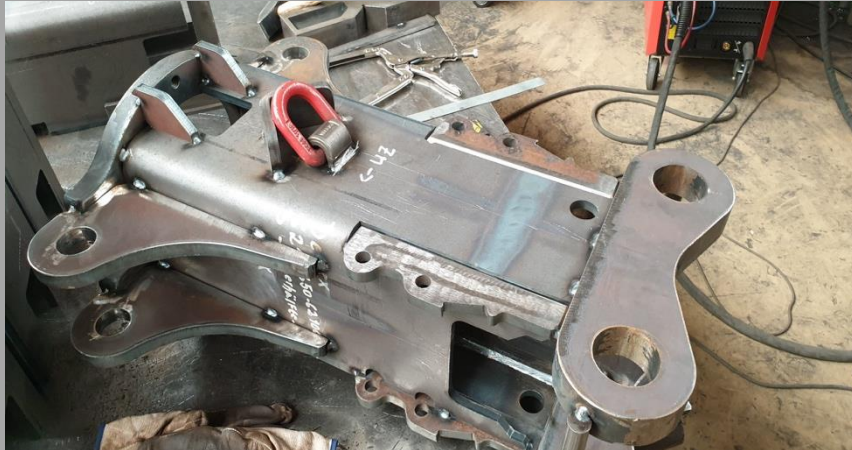
Project for a Slovak company,
Weldments according to the supplied documentation
2019 year



Project for a Slovak company,
Weldments according to the supplied documentation
2019 year



Project for a Slovak company,
Weldments according to the supplied documentation
2019 year



Project for a Slovak company,
Weldments according to the supplied documentation
2019 year



Project for a Slovak company,
Weldments according to the supplied documentation
2020 year



Project for a Slovak company,
Weldments according to the supplied documentation
2020 year



Project for a Slovak company Volkswagen,
Design, Manufacturing, Assembly, Commissioning
2014 year



Project for a Slovak company Strabag,
Weldments according to the supplied documentation
2020 year



Project for a Slovak company,
Weldments according to the supplied documentation
2009 year



Project for a Slovak company,
Design, Production, Assembly
2019 year



Project for a Slovak company Volkswagen,
Design, Manufacturing, Assembly, Commissioning
2023 year



Project for a Slovak company Volkswagen,
Design, Manufacturing, Assembly, Commissioning
2023 year







Project for a Slovak company BZ Group,
Residential apartments OLIVIA Bratislava
Design, Manufacturing, Assembly
2024 year

<https://www.oliviareidence.sk/en>



Project for a Slovak company BZ Group,
Residential apartments OLIVIA Bratislava
Design, Manufacturing, Assembly
2024 year
<https://www.oliviarresidence.sk/en>



Project for a Slovak company BZ Group,
Residential apartments OLIVIA Bratislava
Design, Manufacturing, Assembly
2024 year
<https://www.oliviareidence.sk/en>



Project for a Slovak company BZ Group,
Residential apartments OLIVIA Bratislava
Design, Manufacturing, Assembly
2024 year
<https://www.oliviarresidence.sk/en>







Project for a Slovak company,
Weldments according
to the supplied documentation
2025 year



Project for a Slovak company,
Weldments according to the supplied documentation
2025 year



Project for a Slovak company,
Weldments according to the supplied documentation
2025 year



Project for a Slovak company,
Weldments according to the supplied documentation
2025 year





Project for a Slovak company AKS Group,
Design, Manufacturing, Assembly
2025 year



Project for a Slovak company AKS Group,
Design, Manufacturing, Assembly
2025 year



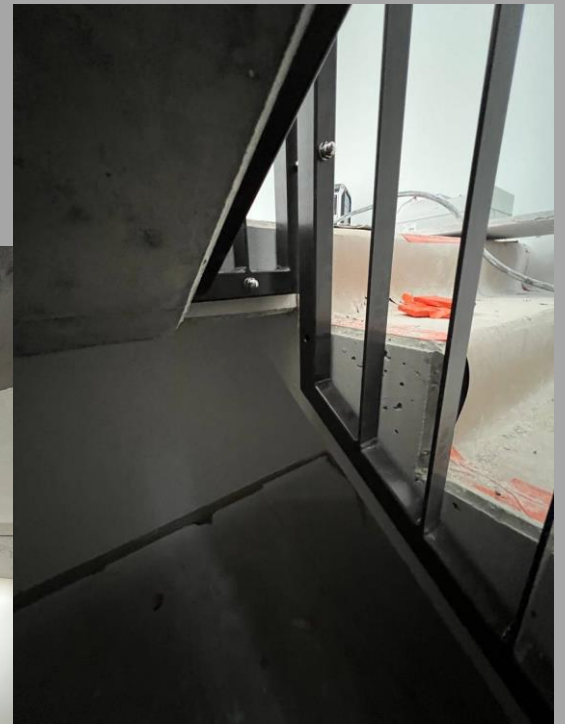
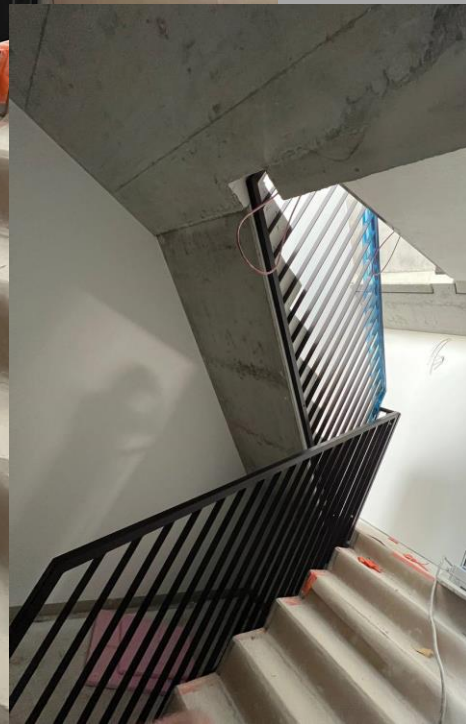
Project for a Slovak company Odeko,
Residential apartments OLIVIA Ruzomberok
Design, Manufacturing, Assembly
2025 year
<https://batorky.sk>



Project for a Slovak company Odeko,
Residential apartments OLIVIA Ruzomberok
Design, Manufacturing, Assembly
2025 year
<https://batorky.sk>



Project for a Slovak company Odeko,
Residential apartments OLIVIA Ruzomberok
Design, Manufacturing, Assembly
2025 year
<https://batorky.sk>



Project for a Slovak company Odeko,
Residential apartments OLIVIA Ruzomberok
Design, Manufacturing, Assembly
2025 year

<https://batorky.sk>



Project for a Slovak company Odeko,
Residential apartments OLIVIA Ruzomberok
Design, Manufacturing, Assembly
2025 year
<https://batorky.sk>



Project for a Slovak company Odeko,
Residential apartments OLIVIA Ruzomberok
Design, Manufacturing, Assembly
2025 year
<https://batorky.sk>



Project for a Slovak company
2026 year



Project for a Slovak company
2026 year



kon-tech, s.r.o.

Hvozdnica 298

013 56 Hvozdnica, Slovakia

Manufacturing address:

kon-tech, s.r.o.

Sidonie Sakalovej 88

014 01 Bytca, Slovakia

Area company AGIS-SK

Entrance behind the ORLEN gas station (by the tall chimney)

KONTECH

Peter Minarik - Founder

pm@kon-tech.sk, Mobil: +421 910 966 863

Peter Minarik, jr. - CEO

peter.minarik@kon-tech.sk, Mobil: +421 915 478 403

Dusan Krajci - CCO, Nederlandssprekend, English speaking

sales@kon-tech.sk, Mobil: +421 904 813 777

Katarina Minarikova, Deutsch sprechende

katarina.minarikova@kon-tech.sk, Mobil: +49 173 5467168

Vladimir Ivanic, di lingua Italiana

sales@kon-tech.sk, Mobil: +421 944 528 209